

HMS30C7110

Multipurpose Network Processor
(ARM Based 32-Bit Microprocessor)

Datasheet

Version 1.5

MagnaChip Semiconductor Ltd.



Copyright. 2002 Magnachip Semiconductor Inc.

ALL RIGHTS RESERVED. No part of this publication may be copied in any form, by photocopy, microfilm, retrieval system, or by any other means now known or hereafter invented without the prior written permission of Magnachip Semiconductor Inc.

Magnachip Semiconductor Inc.

#1, Hyangjeong-dong, Heungduk-gu, Cheongju-si, Chungcheonbuk-do, Republic of Korea

Homepage: <http://www.Magnachip.com>

Technical Support Homepage: will be construction as soon as possible

H.Q. of Magnachip Semiconductor Inc.

Telephone: 82-(0)43-270-4070

Facsimile: 82-(0)43-270-4099

Telephone: 82-(0)43-270-4085

Facsimile: 82-(0)43-270-4099

Marketing SiteSales in Korea

Telephone: 82-(0)2-3459-3738

Facsimile: 82-(0)2-3459-3945

World Wide Sales Network**U.S.A.**

Telephone: 1-408-232-8757

Facsimile: 1-408-232-8135

Taiwan

Telephone: 886-(0)2-2500-8357

Facsimile: 886-(0)2-2509-8977

Hong Kong

Telephone: 852-2971-1640

Facsimile: 852-2971-1622

HMS30C7110 Datasheet, ver1.5

28 July. 03

Magnachip Semiconductor, Corp. may make changes to specification and product description at any time without notice.

Revision History

Rev. 0.1	2002-07-31	First draft
Rev. 1.01	2002-10-31	
Rev. 1.1	2002-12-31	
Rev. 1.2	2003-03-17	Correction on I/O and Register Map
Rev. 1.3	2003-04-13	Correction on Register Description
Rev. 1.4	2003-07-18	Correction on Register Description
Rev. 1.5	2003-07-28	Add I/O Pin Description and add Detail address Add PLL register Map

Contents

1. Product Overview	12
1.1. Summary of HMS30C7110® features	13
1.2. Block Diagram	16
1.3. Pin Assignments.....	17
1.4. Package Pin Diagram (PQ208)	25
1.5. Pin Description.....	26
2. Functional Description	30
2.1. System Configuration	32
2.1.1. Power-up Configuration.....	32
2.1.2. System Memory Map	32
2.1.3. Registers Map.....	35
2.1.4. ARM7TDMI Core	41
2.2. Cache	42
2.2.1. Architecture	42
2.2.2. User Accessible Registers (Base = 0x1950_0000).....	42
2.3. Clock/Watchdog Timer	46
2.3.1. Block Diagram.....	46
2.3.2. User Accessible Registers (Base = 0x1830_0000).....	47
2.4. Memory Controller (Flash/ROM)	52
2.4.1. Block Diagram.....	52
2.4.2. User Accessible Registers (Base = 0x1900_0000).....	53
2.4.3. Timing Diagram.....	56
2.5. Memory Controller (SDRAM).....	57
2.5.1. Block Diagram.....	57
2.5.2. User Accessible Registers (Base = 0x1908_0000).....	58
2.5.3. Timing Diagram.....	63
2.6. Ethernet MAC	67
2.6.1. Block Diagram.....	67

2.6.2.	User Accessible Registers (Base = 0x1920_0000).....	70
2.7.	UART.....	95
2.7.1.	Block Diagram.....	96
2.7.2.	User Accessible Registers (Base = 0x1800_0000).....	97
2.8.	TIMER.....	108
2.8.1.	User Accessible Registers (Base = 0x1810_0000).....	108
2.9.	GPIO.....	113
2.9.1.	User Accessible Registers (Base = 0x1820_0000).....	113
2.10.	SPI.....	117
2.10.1.	Block Diagram.....	117
2.10.2.	User Accessible Registers (Base = 0x1840_0000).....	119
2.11.	DMA.....	123
2.11.1.	User Accessible Registers (Base = 0x1910_0000).....	123
2.12.	INTC.....	128
2.12.1.	User Accessible Registers (Base = 0x1930_0000).....	131
2.13.	PCMCIA Controller.....	137
2.13.1.	User Accessible Registers (Base = 0x1940_0000).....	137
3.	Electrical Characteristics	150
3.1.	Absolute Maximum Ratings.....	150
3.2.	Recommended Operating Conditions	150
3.3.	DC Characteristics	151
3.4.	AC Characteristics	152
3.4.1.	Clocks.....	152
3.4.2.	SDRAM Timing	153
3.4.3.	Ethernet Timing (MII/100Mbps)	154
3.4.4.	Ethernet Timing (MII/10Mbps)	155
3.4.5.	Ethernet Timing (RMII).....	156
3.4.6.	SPI Timing.....	157
4.	Mechanical Characteristics.....	160
5.	Ordering Information.....	161

Figures

Figure 1.1 HMS30C7110® Block Diagram.....	16
Figure 1.2 HMS30C7110® 208-Pin PQFP Assignment (top view).....	25
Figure 2.1 Block Diagram of Clock Module	46
Figure 2.2 Block Diagram of External controller	53
Figure 2.3 Read cycle timing (setup = 4, access = 6, hold = 4)	56
Figure 2.4 Write timing (setup = 4, access = 6, hold = 4)	56
Figure 2.5 Block Diagram of SDRAM controller.....	58
Figure 2.6 Read/Write cycle	64
Figure 2.7 Refresh cycle	64
Figure 2.8 Initialization timing	66
Figure 2.9 Block Diagram of Ethernet MAC	68
Figure 2.10 Block Diagram of UART Device	96
Figure 2.12 Block Diagram of SPI	118
Figure 2.13 Arbitration Block Diagram	130
Figure 3.1 SDRAM Clock Timing.....	152
Figure 3.2 MDC Timing (Ethernet)	152
Figure 3.3 SPI Clock Timing	152
Figure 3.4 SDRAM Timing Diagram	153
Figure 3.5 Ethernet MII Timing Diagram (100Mbps)	154
Figure 3.6 Ethernet MII Timing Diagram (10Mbps).....	155
Figure 3.7 Ethernet RII Timing Diagram.....	156
Figure 3.8 SPI Timing Diagram.....	157
Figure 4.1 Mechanical Characteristics	160

Tables

Table 1.1 PQFP Pin List	17
Table 1.2 Pin Description.....	26
Table 2.1 Power-up Configuration.....	32
Table 2.2 System Memory Map : SDRAM_REMAP = 0.....	33
Table 2.3 System Memory Map : SDRAM_REMAP = 1.....	34
Table 2.4 Register Map at AMBA Peri-Bus.....	35
Table 2.5 Register Map at AMBA Host-Bus.....	37
Table 2.6 Cache and Write Buffer Control Register	42
Table 2.7 Registers for PLL & Watchdog Timer.....	47
Table 2.8 PLL control.....	47
Table 2.9 Watch Dog Timer control.....	48
Table 2.10 Watch Dog Timer Interval.....	48
Table 2.11 Main PLL Control.....	49
Table 2.12 PLL Status.....	50
Table 2.13 Registers for ROM controller.....	54
Table 2.14 Configuration Registers Bit Definition.....	54
Table 2.15 Registers for SDRAM controller	59
Table 2.16 Configuration register	59
Table 2.17 Timing register	60
Table 2.18 Refresh Interval	61
Table 2.19 INIT Control register.....	62
Table 2.20 Address Control register.....	63
Table 2.21 Initialization Sequence.....	65
Table 2.22 Registers for Ethernet MAC.....	71
Table 2.23 MAC Mode Register Bit Definition	73
Table 2.24 Interrupt Source Bit Definition.....	75
Table 2.25 Interrupt Enable Bit Definition.....	76
Table 2.26 Inter-Frame Gap Register.....	79
Table 2.27 Collision Configuration Definition.....	80
Table 2.28 Transmit Buffer Address.....	80

Table 2.29 Transmit Buffer Length.....	81
Table 2.30 Receive Buffer Address	81
Table 2.31 Receive Frame Status.....	82
Table 2.32 Receive Buffer Level.....	82
Table 2.33 RX Address Return	83
Table 2.34 Control Mode Register Bit Definition	83
Table 2.35 MII Mode Register Bit Definition	84
Table 2.36 MII Command Register Definition	85
Table 2.37 MII Transmit Data Register.....	87
Table 2.38 MII Receive Data Register	87
Table 2.39 Length Register	87
Table 2.40 Multicast Address (Most Significant)	88
Table 2.41 Multicast Address (Least Significant)	88
Table 2.42 MAC Address 0 (Control & Byte 5, 4)	89
Table 2.43 MAC Address 1 (Byte 3, 2, 1, 0)	89
Table 2.44 Pause Frame Address 0	90
Table 2.45 Pause Frame Address 1	91
Table 2.46 Pause Frame Type ID and OP Code	91
Table 2.47 Pause frame delay value	92
Table 2.48 TX High Priority Queue Base Address.....	92
Table 2.49 TX High Priority Queue Length.....	92
Table 2.50 TX Low Priority Queue Level.....	93
Table 2.51 TX Low Priority Queue Address Return	93
Table 2.52 TX High Priority Queue Level	94
Table 2.53 TX High Priority Queue Address Return.....	94
Table 2.54 Registers for UART	97
Table 2.55 RHR Bit Definition.....	98
Table 2.56 THR Bit Definition	98
Table 2.57 IER Bit Definition	99
Table 2.58 IIR Bit Definition	99
Table 2.59 Interrupt Control Functions.....	100
Table 2.60 FCR Bit Definition.....	101
Table 2.61 LCR Bit Definition.....	102

Table 2.62 MCR Bit Definition	103
Table 2.63 Autoflow Control Configuration	103
Table 2.64 LSR Bit Definition	104
Table 2.65 MSR Bit Definition	105
Table 2.66 DLL Bit Definition	106
Table 2.67 DLM Bit Definition	107
Table 2.68 Registers for TIMER.....	108
Table 2.69 Clock Selection Register Bit Definition	109
Table 2.70 Timer Control Register Bit Definition	110
Table 2.71 Timer Interval Register Bit Definition.....	110
Table 2.72 Current Timer Value Register Bit Definition	111
Table 2.73 Interrupt Source Register Bit Definition.....	111
Table 2.74 Interrupt Enable	112
Table 2.75 Registers for GPIO.....	113
Table 2.76 GPO Data Register Bit Definition.....	114
Table 2.77 GPI Data Register Bit Definition	114
Table 2.78 GPIO Direction Register Bit Definition	115
Table 2.79 Interrupt Source Register Bit Definition.....	115
Table 2.80 The Bit Definition of the Interrupt Enable Register	116
Table 2.81 Interrupt Mode Register Bit Definition	116
Table 2.82 Interrupt Level Register Bit Definition	116
Table 2.89 Registers for SPI.....	119
Table 2.90 SPI Control Register Bit Definition.....	120
Table 2.91 Configuration Register Bit Definition	120
Table 2.92 Tx Data Register Bit Definition	121
Table 2.93 Rx Data Register Bit Definition.....	121
Table 2.94 Interrupt Source Register Bit Definition.....	121
Table 2.95 Interrupt Mask Register Bit Definition	122
Table 2.96 SPI Status Register Bit Definition.....	122
Table 2.97 DMA Initial Source Register.....	123
Table 2.98 DMA Initial Destination Register	124
Table 2.99 DMA Control Register	124
Table 2.100 DMA Status Register	125

Table 2.101 DMA Mask Trigger Register	126
Table 2.102 Interrupt Source Register.....	129
Table 2.103 Source Pending Register	132
Table 2.104 Interrupt Mode Register	133
Table 2.105 Interrupt Mask Register	133
Table 2.106 Priority Register	134
Table 2.107 Interrupt Pending Register	135
Table 2.108 Interrupt Offset Register	136
Table 2.109 Registers for PCMCIA	137
Table 2.110 Registers for CardBus	138
Table 2.111 IDR Bit Definition	138
Table 2.112 ISR Bit Definition	139
Table 2.113 ICR Bit Definition	139
Table 2.114 GCR Bit Definition.....	140
Table 2.115 CSCR Bit Definition	141
Table 2.116 IER Bit Definition	141
Table 2.117 Setup Bit Definition	142
Table 2.118 Command Bit Definition.....	142
Table 2.119 Recovery Bit Definition	143
Table 2.120 Start Address Bit Definition.....	144
Table 2.121 End Address Bit Definition.....	144
Table 2.122 GPIO direction registers Bit Definition	145
Table 2.123 GPO registers Bit Definition	145
Table 2.124 GPI registers Bit Definition.....	145
Table 2.125 GPIO muxing table	146
Table 2.126 Command Bit Definition.....	147
Table 2.127 Status Bit Definition.....	148
Table 2.128 Retry time register Bit Definition	149
Table 2.129 Clk select register Bit Definition	149
Table 3.1 Absolute maximum ratings	150
Table 3.2 Recommended operating conditions	150
Table 3.3 DC Characteristics	151
Table 3.4 A.C. Electrical Characteristics	158

1. Product Overview

The HMS30C7110® is a low-cost and high performance network processor for telecommunication equipments such as IP sharer, Wireless Local Area Network Access Point (WLAN-AP), Managed switch/Bridge/Hub, routers, and other devices that provide high-speed data networking. The HMS30C7110® includes an ARM7TDMI processor with unified cache, and common network functions such as dual Ethernet MAC, PCMCIA, and other common peripherals.

1.1. Summary of HMS30C7110® features

System

- 32-bit ARM7 Processor Core with cache
- High Speed System Bus & Peripheral Bus
- Supports both Big-Endian / Little-Endian modes
- JTAG-based debug solution

Cache

- 4K Byte unified (data + instruction)
- 4-way set associative
- Write back policy
- Read miss fill up
- 8 word write buffer

Ethernet MAC

- Dual MAC with 10/100Base T
- MII, RMII and 7-wire interface
- 8 Ethernet MAC addresses
- Internal loop-back mode
- Allows programming of PHY active level signal
- Pad insertion for minimum frame size (64 bytes)
- Programmable maximum frame length (up to 2000 bytes)

DMA Controller

- 2-channel programmable DMA
- UART DMA support

UART

- Independent 2-channel Tx/Rx
- Full duplex mode
- Hardware flow control for one channel

- 16 byte internal Rx/Tx FIFOs to reduce data latency
- Even, odd, forced one, and forced zero parity mode

Interrupt Controller

- Handles up to 32 interrupt sources
- Supports hardware priority function
- Programmable IRQ/FIQ mode

SPI

- Operates as master mode
- Configurable address and data width

Timer

- Three channels of 32-bit timer
- Selectable channel clock speed

GPIO

- Up to 13 GPI, 9 GPO (General Purpose Input Output) ports
- Supports external interrupt inputs

Memory Controller

- Supports up to three 4MB banks (Flash/ROM) and one 128MB bank (SDRAM)
- Supports all major SDRAM/ROM/Flash memories
- Supports 32-bit data width for SDRAM
- Supports 8-bit, 16-bit, and 32-bit data width for Flash/ROM

PCMCIA Controller

- Supports 16-bit PC Card host interface
- Supports CardBus

Note: 16-bit PCMCIA is designated as “16-bit PC Card” and 32-bit PCMCIA as “CardBus”. PC card is the card suitable for insertion in PCMCIA slot.

Physical Characteristics

- Operating Voltage: Core 2.5V, I/O 3.3V
- Technology: 0.25um CMOS
- Operating Temperature: 0 ~ 70° C
- Operating Frequency: 70 MHz
- Package Type: 208 PQFP

1.2. Block Diagram

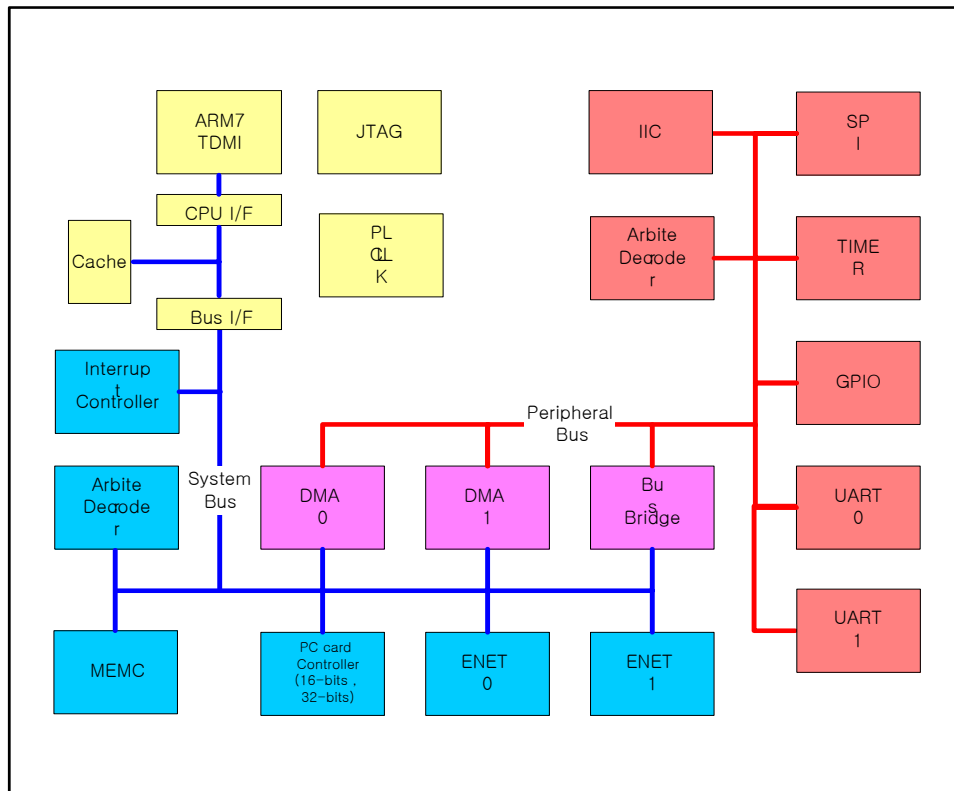


Figure 1.1 HMS30C7110® Block Diagram

1.3. Pin Assignments

Table 1.1 PQFP Pin List

Pin #	Pin Name	I O	Pad Type	Description															
1	MODE	I	PICD	Operation Mode <table border="1"> <thead> <tr> <th>MODE</th> <th>TESTSE</th> <th>Contents</th> </tr> </thead> <tbody> <tr> <td>0</td> <td>0</td> <td>Normal Operation</td> </tr> <tr> <td>0</td> <td>1</td> <td>NANDTREE/BIST/PLL Test</td> </tr> <tr> <td>1</td> <td>0</td> <td>Parallel Capture for ATPG</td> </tr> <tr> <td>1</td> <td>1</td> <td>Scan Shift for ATPG</td> </tr> </tbody> </table>	MODE	TESTSE	Contents	0	0	Normal Operation	0	1	NANDTREE/BIST/PLL Test	1	0	Parallel Capture for ATPG	1	1	Scan Shift for ATPG
MODE	TESTSE	Contents																	
0	0	Normal Operation																	
0	1	NANDTREE/BIST/PLL Test																	
1	0	Parallel Capture for ATPG																	
1	1	Scan Shift for ATPG																	
2	TESTSE	I	PICD	Test Scan Enable. Refer to the description for Pin 1															
3	nRESET	I	PICS	System Reset, active low															
4	VSSP	P		VSS for IO															
5	MCLK	I	PICS	SDRAM Memory Feedback Clock															
6	SCLK	O	POC8A	SDRAM clock															
7	VSSI	P		VSS for core															
8	ADDR21/Endian	BD	PBCD8A	Address Bus/Endian at Reset period. . Pulled down internally over 50 Kohm. 0: Little Endian (Default) 1: Big Endian															
9	ADDR20/Boot32	BD	PBCD8A	Address Bus/Boot32 at Reset period. Pulled down internally over 50 Kohm. 0: 16-bit booting(Default) 1: 32-bit booting															
10	ADDR19/Boot16-8	BU	PBCU8A	Address Bus/Boot16-8 at Reset. Pulled up internally over 50 Kohm. 0: 8-bit booting 1: 16-bit booting(Default)															
11	ADDR18/Bypass	BU	PBCU8A	Address Bus/Bypass Internal Power-On-Reset Circuit. Pulled up internally over 50 Kohm. The active output width is over 1.5 Sec when 10MHz main clock is used. 0: Use internal Power-On-Reset circuit 1: Bypass internal Power-On-Reset circuit (Default)															

				Provide external 10 Kohm pull-down to use internal RESET
12	ADDR17	O	POC8A	Address Bus
13	VCCI	P		VDD for core
14	ADDR16	O	POC8A	Address Bus
15	ADDR15	O	POC8A	Address Bus
16	ADDR14/BA1	O	POC8A	Address Bus/SDRAM Bank Address 1
17	ADDR13/BA0	O	POC8A	Address Bus/SDRAM Bank Address 0
18	ADDR12	O	POC8A	Address Bus
19	ADDR11	O	POC8A	Address Bus
20	VCCP	P		VDD for IO
21	ADDR10	O	POC8A	Address Bus
22	ADDR9	O	POC8A	Address Bus
23	ADDR8	O	POC8A	Address Bus
24	ADDR7	O	POC8A	Address Bus
25	ADDR6	O	POC8A	Address Bus
26	VSSP	P		VSS for IO
27	ADDR5	O	POC8A	Address Bus
28	ADDR4	O	POC8A	Address Bus
29	ADDR3	O	POC8A	Address Bus
30	ADDR2	O	POC8A	Address Bus
31	ADDR1	O	POC8A	Address Bus
32	ADDR0	O	POC8A	Address Bus
33	VSSI	P		VSS for core
34	DATA31	BU	PBCU8A	Data Bus
35	DATA30	BU	PBCU8A	Data Bus
36	DATA29	BU	PBCU8A	Data Bus
37	DATA28	BU	PBCU8A	Data Bus
38	DATA27	BU	PBCU8A	Data Bus
39	DATA26	BU	PBCU8A	Data Bus
40	VSSP	P		VSS for IO
41	DATA25	BU	PBCU8A	Data Bus
42	DATA24	BU	PBCU8A	Data Bus

43	DATA23	BU	PBCU8A	Data Bus
44	DATA22	BU	PBCU8A	Data Bus
45	DATA21	BU	PBCU8A	Data Bus
46	DATA20	BU	PBCU8A	Data Bus
47	VCCP	P		VDD for IO
48	DATA19	BU	PBCU8A	Data Bus
49	DATA18	BU	PBCU8A	Data Bus
50	DATA17	BU	PBCU8A	Data Bus
51	DATA16	BU	PBCU8A	Data Bus
52	DATA15	BU	PBCU8A	Data Bus
53	VSSP	P		VSS for IO
54	DATA14	BU	PBCU8A	Data Bus
55	DATA13	BU	PBCU8A	Data Bus
56	DATA12	BU	PBCU8A	Data Bus
57	DATA11	BU	PBCU8A	Data Bus
58	DATA10	BU	PBCU8A	Data Bus
59	DATA9	BU	PBCU8A	Data Bus
60	VCCI	P		VDD for core
61	DATA8	BU	PBCU8A	Data Bus
62	DATA7	BU	PBCU8A	Data Bus
63	DATA6	BU	PBCU8A	Data Bus
64	DATA5	BU	PBCU8A	Data Bus
65	DATA4	BU	PBCU8A	Data Bus
66	DATA3	BU	PBCU8A	Data Bus
67	VSSI	P		VSS for core
68	DATA2	BU	PBCU8A	Data Bus
69	DATA1	BU	PBCU8A	Data Bus
70	DATA0	BU	PBCU8A	Data Bus
71	nSCS	O	POC8A	SDRAM Chip Select
72	nRAS	O	POC8A	Row Address Strobe
73	nCAS	O	POC8A	Column Address Strobe
74	nSWE	O	POC8A	SDRAM Write Enable

75	VCCP	P		VDD for IO
76	DQM3	O	POC8A	SDRAM Data Mask 3
77	DQM2	O	POC8A	SDRAM Data Mask 2
78	DQM1	O	POC8A	SDRAM Data Mask 1
79	DQM0	O	POC8A	SDRAM Data Mask 0
80	GPI[11]	B	PBC4A	GPIO input bit 11
81	GPI[12]	B	PBC4A	GPIO input bit 12
82	VCCI	P		VDD for core
83	nRCS2	O	POC4A	ROM/FLASH Chip Select
84	nRCS1	O	POC4A	ROM/FLASH Chip Select
85	nRCS0	O	POC4A	ROM/FLASH Chip Select
86	nROE	O	POC8A	ROM/FLASH Output Enable
87	nRWE	O	POC8A	ROM/FLASH Write Enable
88	VCCP	P		VDD for IO
89	E0_COL/ /GPI[3]	I	PIC	Collision/GPI[3]
90	E0_CRS/E0_CRSDV	I	PIC	Carrier Sense from the Ethernet PHY
91	E0_TXD3/ GPO[5]	O	POC4A	Transmit Data from the Ethernet PHY/GPO[5]
92	E0_TXD2/GPO[4]	O	POC4A	Transmit Data from the Ethernet PHY/GPO[4]
93	E0_TXD1/ E0_TXD1	O	POC4A	Transmit Data from the Ethernet PHY/
94	E0_TXD0/ E0_TXD0	O	POC4A	Transmit Data from the Ethernet PHY
95	E0_TXEN/ E0_TXEN	O	POC4A	Transmit Data Enable to the Ethernet PHY
96	VSSP	P		VSS for IO
97	E0_TXCLK	I	PICS	Transmit Clock from the Ethernet PHY
98	E0_TXER/ GPO[3]	O	POC4A	Transmit Data Error to the Ethernet PHY/GPO[3]
99	E0_RXER/ E0_RXER	I	PIC	Receive Data Error from the Ethernet PHY
100	E0_RXCLK/E0_CLK	I	PICS	Receive Clock from the Ethernet PHY
101	E0_RXDV/ GPI[6]	I	PIC	Receive Data Valid from the Ethernet PHY/GPI[6]
102	E0_RXD0 /E0_RXD0	I	PIC	Receive Data from the Ethernet PHY
103	E0_RXD1/ E0_RXD1	I	PIC	Receive Data from the Ethernet PHY
104	E0_RXD2/ GPI[4]	I	PIC	Receive Data from the Ethernet PHY/GPI[4]
105	E0_RXD3/ GPI[5]	I	PIC	Receive Data from the Ethernet PHY/GPI[5]
106	E0_MDC	O	POC4A	Receive Data from the Ethernet PHY

107	E0_MDIO	B	PBCC4A	Receive Data from the Ethernet PHY
108	PLLVCC	P		VDD for PLL
109	CLKI	I	POSC1	Main Clock In for crystal (10~20MHz)
110	CLKO	O	POSC1	Main Clock Out for crystal (10~20MHz)
111	PLLVSS	P		VSS for PLL
112	E1_COL/ GPI[7]	I	PIC	Collision/GPI[7]
113	E1_CRS/E1_CRSDV	I	PIC	Carrier Sense from the Ethernet PHY
114	E1_TXD3/ GPO[8]	O	POC4A	Transmit Data from the Ethernet PHY/GPO[8]
115	E1_TXD2/ GPO[7]	O	POC4A	Transmit Data from the Ethernet PHY/GPO[7]
116	E1_TXD1/ E1_TXD1	O	POC4A	Transmit Data from the Ethernet PHY
117	E1_TXD0/ E1_TXD0	O	POC4A	Transmit Data from the Ethernet PHY
118	E1_TXEN/ E1_TXEN	O	POC4A	Transmit Data Enable to the Ethernet PHY
119	E1_TXCLK	I	PICS	Transmit Clock from the Ethernet PHY
120	E1_TXER/ GPO[6]	O	POC4A	Transmit Data Error to the Ethernet PHY/GPO[6]
121	VSSP	P		VSS for IO
122	E1_RXER/ E1_RXER	I	PIC	Receive Data Error from the Ethernet PHY
123	E1_RXCLK/ E1_CLK	I	PICS	Receive Clock from the Ethernet PHY
124	E1_RXDV/ GPI[10]	I	PIC	Receive Data Valid from the Ethernet PHY/GPI[10]
125	E1_RXD0/ E1_RXD0	I	PIC	Receive Data from the Ethernet PHY
126	E1_RXD1/ E1_RXD1	I	PIC	Receive Data from the Ethernet PHY
127	E1_RXD2/ GPI[8]	I	PIC	Receive Data from the Ethernet PHY/GPI[8]
128	E1_RXD3/ GPI[9]	I	PIC	Receive Data from the Ethernet PHY/GPI[9]
129	VCCP	P		VDD for IO
130	UTXD	O	POC4A	UART channel Tx Data
131	URXD	I	PIC	UART channel Rx Data
132	nCCD_02/CDO	B	PBC4A	CD1 input/ SPI Data Output
133	nCCD_01/CCLK	B	PBC4A	CD2 input/ SPI Clock Output
134	CVS2/nCCS	B	PBC4A	VS 1/ SPI Chip Select
135	CVS1/CDI	B	PBC4A	VS 1/ SPI Data Input
136	RESET_nCRST	O	POC8A	Card Reset
137	VSSP	P		VSS for IO
138	nWAIT_nCSERR/RxD	BU	PBCU4A	Wait from 16-bit PC Card / RxData for UART 1

139	nCE2_CAD10	BU	PBCU4A	Chip enable 0 for 16-bit PC Card/CardBus Address Data
140	nCE1_nCBE0	BU	PBCU4A	Chip enable for 16-bit PC Card/CardBus CBE0
141	nWE_nCGNT	BU	PBCU4A	Write enable for 16-bit PC Card /CardBus CGNT
142	nOE_CAD11	BU	PBCU4A	Read enable for 16-bit PC Card /CardBus Address Data
143	WP/nIOIS16_nCCLKRUN	BU	PBCU4A	Write Protect / IO Size 16 (*DMA Request for IO mode 3)/CardBus CCLKRUN
144	nREG_nCBE3 / DACK	BU	PBCU4A	Attribute Memory Select for 16-bit PC Card / DMA Acknowledge
145	VCCI	P		VDD for core
146	nIORD_CAD13	BU	PBCU4A	I/O Read for 16-bit PC Card /CardBus Address Data
147	nIOWR_CAD15	BU	PBCU4A	I/O Write for 16-bit PC Card /CardBus Address Data
148	nINPACK_nCREQ	BU	PBCU4A	Input Acknowledge for 16-bit PC Card (*DMA Request for IO mode 2)/CardBus CREQ
149	nSTSCHG_CSTSCHG	BU	PBCU4A	Status Change from 16-bit PC Card / CTS for UART 1
150	READY/nIREQ_nCINT	BU	PBCU4A	Initialization Ready from 16-bit PC Card/CardBus Interrupt Request
151	D15_CAD8	BU	PBCU4A	16-bit PC CARD Data/CardBus Address Data
152	VSSI	P		VSS for core
153	D14	BU	PBCU4A	16-bit PC CARD Data
154	D13_CAD6	BU	PBCU4A	16-bit PC CARD Data/CardBus Address Data
155	D12_CAD4	BU	PBCU4A	16-bit PC CARD Data/CardBus Address Data
156	D11_CAD2	BU	PBCU4A	16-bit PC CARD Data/CardBus Address Data
157	D10_CAD31	BU	PBCU4A	16-bit PC CARD Data/CardBus Address Data
158	D9_CAD30	BU	PBCU4A	16-bit PC CARD Data/CardBus Address Data
159	VCCP	P		VDD for IO
160	D8_CAD28	BU	PBCU4A	16-bit PC CARD Data/CardBus Address Data
161	D7_CAD7	BU	PBCU4A	16-bit PC CARD Data/CardBus Address Data
162	D6_CAD5	BU	PBCU4A	16-bit PC CARD Data/CardBus Address Data
163	D5_CAD3	BU	PBCU4A	16-bit PC CARD Data/CardBus Address Data
164	D4_CAD1	BU	PBCU4A	16-bit PC CARD Data/CardBus Address Data
165	D3_CAD0	BU	PBCU4A	16-bit PC CARD Data/CardBus Address Data
166	VSSI	P		VSS for core
167	D2	BU	PBCU4A	16-bit PC CARD Data
168	D1_CAD29	BU	PBCU4A	16-bit PC CARD Data/CardBus Address Data

169	D0_CAD27	BU	PBCU4A	16-bit PC CARD Data/CardBus Address Data
170	A25_CAD19/TXD1	BU	PBCU4A	16-bit Pc Card Address/CardBus Address Data / TxData for UART 1
171	A24_CAD17	BU	PBCU4A	16-bit PC Card Address/CardBus Address Data
172	VSSP	P		VSS for IO
173	A23_nCFRAME	BU	PBCU4A	16-bit PC Card Address/CardBus Frame
174	A22_nCTRDY	BU	PBCU4A	16-bit PC Card Address/CardBus TRDY
175	A21_nCDEVSEL	BU	PBCU4A	16-bit PC Card Address/CardBus Dev Sel
176	A20_nCSTOP	BU	PBCU4A	16-bit PC Card Address/CardBus STOP
177	A19_nCBLOCK	BU	PBCU4A	16-bit PC Card Address/CardBus CBLOCK
178	A18	B	PBC4A	16-bit PC Card Address
179	A17_CAD16	BU	PBCU4A	16-bit PC Card Address/CardBus Address Data
180	VCCP	P		VDD for IO
181	A16_CCLK	B	PBC8A	16-bit PC Card Address/CCLK
182	A15_nCIRDY	BU	PBCU4A	16-bit PC Card Address/CIRDY
183	A14_nCPERR	BU	PBCU4A	16-bit PC Card Address/CPERR
184	A13_CPAR	BU	PBCU4A	16-bit PC Card Address/CPAR
185	A12_nCCBE2	BU	PBCU4A	16-bit PC Card Address/CCBE2
186	VCCI	P		VDD for core
187	A11_CAD12	BU	PBCU4A	16-bit PC Card Address/CardBus Address Data
188	A10_CAD9	BU	PBCU4A	16-bit PC Card Address/CardBus Address Data
189	A9_CAD14	BU	PBCU4A	16-bit PC Card Address/CardBus Address Data
190	A8_nCCBE1	BU	PBCU4A	16-bit PC Card Address/CardBus CCBE1
191	A7_CAD18	BU	PBCU4A	16-bit PC Card Address/CardBus Address Data
192	A6_CAD20	BU	PBCU4A	16-bit PC Card Address/CardBus Address Data
193	VSSP	P		VSS for IO
194	A5_CAD21	BU	PBCU4A	16-bit PC Card Address/CardBus Address Data
195	A4_CAD22	BU	PBCU4A	16-bit PC Card Address/CardBus Address Data
196	A3_CAD23	BU	PBCU4A	16-bit PC Card Address/CardBus Address Data
197	A2_CAD24	BU	PBCU4A	16-bit PC Card Address/CardBus Address Data
198	A1_CAD25	BU	PBCU4A	16-bit PC Card Address/CardBus Address Data
199	A0_CAD26	BU	PBCU4A	16-bit PC Card Address/CardBus Address Data
200	VCCP	P		VDD for IO

201	TMS	ID	PICDD	JTAG Test Mode
202	TCK	I	PICS	JTAG Clock
203	TRST	ID	PICSD	JTAG Reset
204	TDI	IU	PICDU	JTAG Data In
205	TDO	O	POC4A	JTAG Data Out
206	GPIO2/Wait	B	PBC4A	GPIO port/Wait Input
207	GPIO1	B	PBC4A	GPIO port
208	GPIO0	B	PBC4A	GPIO port

Note: IO classification (weak pull-up and weak pull-down is pull-up/down with over 50 Kohm.)

B: Bidirectional, I: Input, O:Output, BU:Bidirectional with weak pull-up
 IU: Input with weak pull-up, OU: Output with weak pull-up,
 ID: Input with weak pull-down, BD: Bidirectional with weak pull-down

1.4. Package Pin Diagram (PQ208)

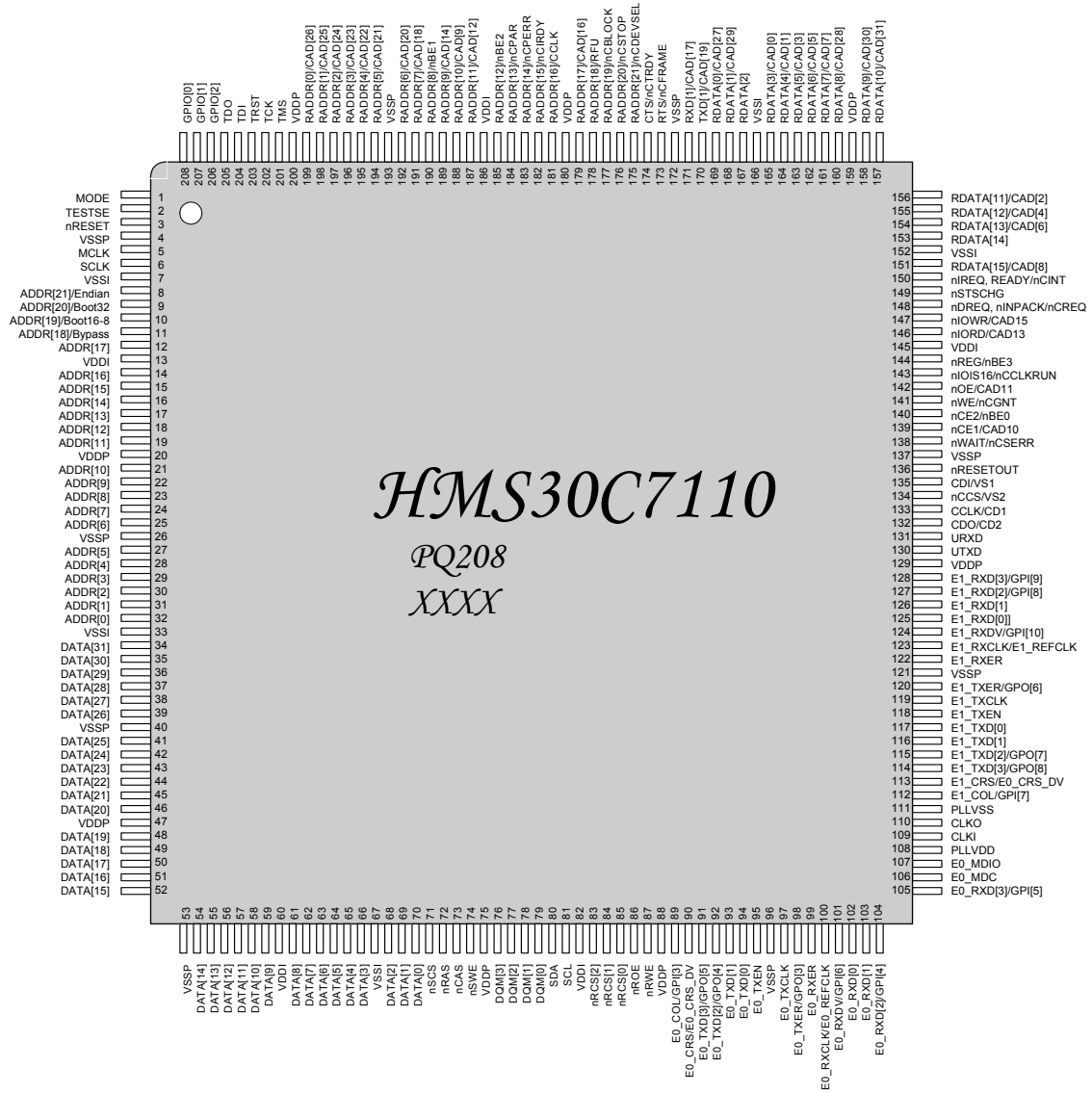


Figure 1.2 HMS30C7110® 208-Pin PQFP Assignment (top view)

1.5. Pin Description

Table 1.2 Pin Description

Block	Port	Direction	Description
System Configuration (5)	MODE	I	Operation Mode
	TESTSE	I	Test Scan Enable
	nRESET	I	System Reset, active low
	CLKI	I	Main Clock In for crystal (10~20MHz)
	CLKO	O	Main Clock Out for crystal (10~20MHz)
Ethernet MAC (53)	MTXCLK	I	Transmit Nibble or Symbol Clock from the PHY
	MTXD[3:0]	O	Transmit Data Nibble
	MTXEN	O	Transmit Enable
	MTXERR	O	Transmit Coding Error
	MRXCLK	I	Receive Nibble or Symbol Clock from the PHY
	MRXDV	I	Receive Data Valid from the PHY
	MRXD[3:0]	I	Receive Data Nibble
	MRXERR	I	Receive Error from the PHY
	MCOLL	I	Collision Detected from the PHY
	MCRS	I	Carrier Sense from the PHY
	MDC	I	Management Data Clock
	MDIO	I/O	Management Data Input/Output
	E0_COL	I	Collision from the Ethernet PHY0
	E0_CRS	I	Carrier Sense from the Ethernet PHY0
	E0_TXD[3-0]	O	Transmit Data from the Ethernet PHY0
	E0_TXEN	O	Transmit Data Enable to the Ethernet PHY0
	E0_TXCLK	I	Transmit Clock from the Ethernet PHY0
	E0_TXER	O	Transmit Data Error to the Ethernet PHY0
	E0_RXER	I	Receive Data Error from the Ethernet PHY0
	E0_RXCLK	I	Receive Clock from the Ethernet PHY0
E0_RXDV	I	Receive Data Valid from the Ethernet PHY0	
E0_RXD[3-0]	I	Receive Data from the Ethernet PHY0	

	E0_MDC	O	Receive Data from the Ethernet PHY0
	E0_MDIO	B	Receive Data from the Ethernet PHY0
	E1_COL	I	Collision from the Ethernet PHY1
	E1_CRFS	I	Carrier Sense from the Ethernet PHY
	E1_TXD[3-0]	O	Transmit Data from the Ethernet PHY1
	E1_TXEN	O	Transmit Data Enable to the Ethernet PHY1
	E1_TXCLK	I	Transmit Clock from the Ethernet PHY1
	E1_TXER	O	Transmit Data Error to the Ethernet PHY1
	E1_RXER	I	Receive Data Error from the Ethernet PHY1
	E1_RXCLK	I	Receive Clock from the Ethernet PHY1
	E1_RXDV	I	Receive Data Valid from the Ethernet PHY1
	E1_RXD[3-0]	I	Receive Data from the Ethernet PHY1
SDRAM Controller (64)	MCLK	I	SDRAM Memory Feedback Clock
	SCLK	O	SDRAM clock
	nSCS	O	SDRAM Chip Select
	nRAS	O	Row Address Strobe
	nCAS	O	Column Address Strobe
	NSWE	O	SDRAM Write Enable
	DQM3	O	SDRAM Data Mask 3
	DQM2	O	SDRAM Data Mask 2
	DQM1	O	SDRAM Data Mask 1
	DQM0	O	SDRAM Data Mask 0
	ADDR[21-0]	B	Address Bus
	DATA[31-0]	B	Data Bus
Flash/ROM Controller (59)	nRCS[2-0]	O	ROM/FLASH Chip Select
	nROE	O	ROM/FLASH Output Enable
	nRWE	O	ROM/FLASH Write Enable
	ADDR[21-0]	B	Address Bus
	DATA[31-0]	B	Data Bus
PCMCIA Controller (53)	nWAIT_nCSERR	I	Wait from 16-bit PC Card / CardBus CSERR
	nCE2_CAD10	O	Chip enable 0 for 16-bit PC Card/CardBus Address Data

nCE1_nCBE0	I	Chip enable 1 for 16-bit PC Card/CardBus CBE0
nWE_nCGNT	O	Write enable/CardBus CGNT
nOE_CAD11	B	Read enable/CardBus Address Data
WP/nIOIS16_nCCLKRUN	I	Write Protect / IO Size 16 (*DMA Request for IO mode 3)
nREG_nCBE3 / DACK	O	Attribute Memory Select / DMA Acknowledge
nIORD_CAD13	B	I/O Read for 16-bit PC Card/CardBus Address Data
nIOWR_CAD15	B	I/O Write for 16-bit PC Card/CardBus Address Data
nINPACK_nCREQ	I	Input Acknowledge (*DMA Request for IO mode 2)
nSTSCHG_CSTSCHG	I	Status Change from 16-bit PC Card / CTS for UART 1
READY/nIREQ_nCINT	I	Initialization Ready from 16-bit PC Card / CardBus Interrupt Request
D15_CAD8	B	16-bit PC CARD Data/CardBus Address Data
D14	B	16-bit PC CARD Data
D13_CAD6	B	16-bit PC CARD Data/CardBus Address Data
D12_CAD4	B	16-bit PC CARD Data/CardBus Address Data
D11_CAD2	B	16-bit PC CARD Data/CardBus Address Data
D10_CAD31	B	16-bit PC CARD Data/CardBus Address Data
D9_CAD30	B	16-bit PC CARD Data/CardBus Address Data
D8_CAD28	B	16-bit PC CARD Data/CardBus Address Data
D7_CAD7	B	16-bit PC CARD Data/CardBus Address Data
D6_CAD5	B	16-bit PC CARD Data/CardBus Address Data
D5_CAD3	B	16-bit PC CARD Data/CardBus Address Data
D4_CAD1	B	16-bit PC CARD Data/CardBus Address Data
D3_CAD0	B	16-bit PC CARD Data/CardBus Address Data
D2	B	16-bit PC CARD Data
D1_CAD29	B	16-bit PC CARD Data/CardBus Address Data
D0_CAD27	B	16-bit PC CARD Data/CardBus Address Data
A25_CAD19/TXD1	B	16-bit PC Card Address/CardBus Address Data / TxData for UART 1
A24_CAD17	B	16-bit PC Card Address/CardBus Address Data
A23_nCFRAME	B	16-bit PC Card Address/CardBus Frame

	A22_nCTRDY	B	16-bit PC Card Address/CardBus TRDY
	A21_nCDEVSEL	B	16-bit PC Card Address/CardBus Dev Sel
	A20_nCSTOP	B	16-bit PC Card Address/CardBus STOP
	A19_nCBLOCK	B	16-bit PC Card Address/CardBus CBLOCK
	A18	B	16-bit PC Card Address
	A17_CAD16	B	16-bit PC Card Address/CardBus Address Data
	A16_CCLK	B	16-bit PC Card Address/ CardBus CCLK
	A15_nCIRDY	B	16-bit PC Card Address/ CardBus CIRDY
	A14_nCPERR	B	16-bit PC Card Address/ CardBus CPERR
	A13_CPAR	B	16-bit PC Card Address/ CardBus CPAR
	A12_nCCBE2	B	16-bit PC Card Address/ CardBus CCBE2
	A11_CAD12	B	16-bit PC Card Address/CardBus Address Data
	A10_CAD9	B	16-bit PC Card Address/CardBus Address Data
	A9_CAD14	B	16-bit PC Card Address/CardBus Address Data
	A8_nCCBE1	B	16-bit PC Card Address/ CardBus CCBE1
	A7_CAD18	B	16-bit PC Card Address/CardBus Address Data
	A6_CAD20	B	16-bit PC Card Address/CardBus Address Data
	A5_CAD21	B	16-bit PC Card Address/CardBus Address Data
	A4_CAD22	B	16-bit PC Card Address/CardBus Address Data
	A3_CAD23	B	16-bit PC Card Address/CardBus Address Data
	A2_CAD24	B	16-bit PC Card Address/CardBus Address Data
	A1_CAD25	B	16-bit PC Card Address/CardBus Address Data
	A0_CAD26	B	16-bit PC Card Address/CardBus Address Data
UART (6)	UTXD	O	Tx Data for UART channel0
	URXD	I	Rx Data for UART channel0
	A25_CAD19/TXD1	O	Tx Data for UART channel1
	nWAIT_nCSERR/RxD	I	Rx Data for UART channel1
	nINPACK_nCREQ	I	CTS for UART 1
	nSTSCHG_CSTSCHG	O	RTS for UART 1
GPIO (21)	GPI12-3	B	GPIO input
	GPO12-3	B	GPIO output
	GPIO2-0	B	GPIO inout

SPI (4)	CCLK	O	SPI Clock Output
	CDO	O	SPI Data Output
	CDI	O	SPI Data Input
	nCCS	I	SPI Chip Select

2. Functional Description

The following internal functions will be covered in this section:

- System Configuration
- ARM7TDMI Core
- Cache
- Clock/Watch-dog Timer
- Memory Controller (FLASH/SRAM/PCMCIA)
- Memory Controller (SDRAM)
- Ethernet
- UART
- TIMER
- GPIO
- SPI
- DMA
- INTC
- PCMCIA Controller

2.1. System Configuration

This section describes system memory map and power-up configuration of HMS30C7110®.

2.1.1. Power-up Configuration

The following table shows power-up configuration mapping based on mode configuration pins (MODE, TESTSE).

Table 2.1 Power-up Configuration

MODE	TESTSE	Contents
0	0	Normal Operation
0	1	NANDTREE/BIST/PLL Test
1	0	Parallel Capture for ATPG
1	1	Scan Shift for ATPG

2.1.2. System Memory Map

The system memory map can be one of the following two configurations:

1. Memory Maps
 - A. SDRAM_REMAP = 0
 - B. SDRAM_REMAP = 1

Two different memory maps can be selected by one of MEMC (SDRAM) registers. Refer to MEMC for details.

Note 1: This address range is repeated in 0x4000_0000 ~ 0x7FFF_FFFF, 0x8000_0000 ~ 0xBFFF_FFFF, and 0xC000_0000 ~ 0xFFFF_FFFF.

Note 2: 0x0000_0000 ~ 0x7FFF_FFFF is cacheable area and 0x8000_0000 ~ 0xFFFF_FFFF is non-

cacheable area.

Table 2.2 System Memory Map : SDRAM_REMAP = 0

Base Address	Size	Function
0x3e00_0000	32MB	CardBus special cycle
0x3c00_0000	32MB	CardBus configuration
0x3800_0000	64MB	CardBus I/O
0x3000_0000	128MB	CardBus memory
0x2c00_0000	64MB	Reserved
0x2800_0000	64MB	Attribute memory of PCMCIA
0x2400_0000	64MB	Common memory of PCMCIA
0x2000_0000	64MB	I/O area of PCMCIA
0x1960_0000	106MB	Reserved
0x1950_0000	1MB	CACHE registers
0x1948_0000	0.5MB	CardBus Bridge registers
0x1940_0000	0.5MB	PCMCIA Interface registers
0x1930_0000	1MB	INTC registers
0x1920_1000	996KB	ENET MAC1 registers
0x1920_0000	4KB	ENET MAC0 registers
0x1910_0000	1MB	DMA registers
0x1908_0000	0.5MB	SDRAMC registers
0x1900_0000	0.5MB	ROMC registers
0x1860_0000	10MB	Reserved
0x1850_0000	1MB	Reserved
0x1840_0000	1MB	SPI registers
0x1830_0000	1MB	WDT/CLKRST registers
0x1820_0000	1MB	GPIO registers
0x1810_0000	1MB	TIMER registers
0x1808_0000	0.5MB	UART1 registers
0x1800_0000	0.5MB	UART0 registers
0x1000_0000	128MB	SDRAM memory
0x0800_0000	128MB	Reserved
0x0200_0000	96MB	Reserved
0x0100_0000	16MB	Flash/IO/SRAM bank-1
0x0000_0000	16MB	Flash/IO/SRAM bank-0

Table 2.3 System Memory Map : SDRAM_REMAP = 1

Base Address	Size	Function
0x3e00_0000	32MB	CardBus special cycle
0x3c00_0000	32MB	CardBus configuration
0x3800_0000	64MB	CardBus I/O
0x3000_0000	128MB	CardBus memory
0x2c00_0000	64MB	Reserved
0x2800_0000	64MB	Attribute memory of PCMCIA
0x2400_0000	64MB	Common memory of PCMCIA
0x2000_0000	64MB	I/O area of PCMCIA
0x1960_0000	106MB	Reserved
0x1950_0000	1MB	CACHE registers
0x1940_0000	1MB	CARD Interface registers
0x1930_0000	1MB	INTC registers
0x1920_0000	1MB	ENET MAC registers
0x1910_0000	1MB	DMA registers
0x1900_0000	1MB	MEMC registers
0x1860_0000	10MB	Reserved
0x1850_0000	1MB	Reserved
0x1840_0000	1MB	SPI registers
0x1830_0000	1MB	WDT/CLKRST registers
0x1820_0000	1MB	GPIO registers
0x1810_0000	1MB	TIMER registers
0x1808_0000	0.5MB	UART1 registers
0x1800_0000	0.5MB	UART0 registers
0x1200_0000	96MB	Reserved
0x1100_0000	16MB	Flash/IO/SRAM bank-1
0x1000_0000	16MB	Flash/IO/SRAM bank-0
0x0800_0000	128MB	Reserved
0x0000_0000	128MB	SDRAM memory

2.1.3. Registers Map

Table 2.4 Register Map at AMBA Peri-Bus

BLOCK	ADDRESS	NAME	R/W	Reset Value
UART0	1800_0000	DATA FIFO	R/W	xxxx_xxxx
	_0004	Interrupt enable register	R/W	0000_0000
	_0008	Interrupt Identification register	R/W	0000_0001
	_000c	Line control register	R/W	0000_0000
	_0010	Modem control Register	R/W	0000_0000
	_0014	Line Status Register	R/W	0000_0000
	_0018	Modem Status Register	R/W	0000_0000
	0001c – 7fffc	RESERVED		0000_0000
UART1	1808_0000	DATA FIFO	R/W	xxxx_xxxx
	_0004	Interrupt enable register	R/W	0000_0000
	_0008	Interrupt Identification register	R/W	0000_0001
	_000c	Line control register	R/W	0000_0000
	_0010	Modem control Register	R/W	0000_0000
	_0014	Line Status Register	R/W	0000_0000
	_0018	Modem Status Register	R/W	0000_0000
	8001c – ffffc	RESERVED		0000_0000
Timer	1810_0000	Input clock selection for 3 channels	R/W	0000_0000
	_0004	Channel enable	R/W	0000_0000
	_0008	Timer Interval For ch0	R/W	0000_0000
	_000c	Timer Interval For ch1	R/W	0000_0000
	_0010	Timer Interval For ch2	R/W	0000_0000
	_0014	Current Timer value For ch0	R	0000_0000
	_0018	Current Timer value For ch1	R	0000_0000
	_001c	Current Timer value For ch2	R	0000_0000
	_0020	Interrupt Pending Register	R/W	0000_0000
	_0024	Interrupt Enable	R/W	0000_0000
	00028 – ffffc	RESERVED		Interrupt Enable
GPIO	1820_0000	General purpose output	R/W	0000_0000
	_0004	General purpose input	R/W	0000_0000
	_0008	GPIO direction (Output enable)	R/W	0000_0000

	_000c	Interrupt pending register	R/W	0000_0000
	_0010	Interrupt enable register	R/W	0000_0000
	_0014	Interrupt mode register	R/W	0000_0000
	_0018	Interrupt level register	R/W	0000_0000
	0001c – ffff	RESERVED		0000_0000
CLOCKRST	1830_0000	PLL control	R/W	0000_0008
	_0004	WDT control	R/W	0000_0000
	_0008	WDT counter	R/W	0000_0000
	_000c	PLL Control	R/W	a006_0080
	_0010	PLL Status	R	0000_0000
	00014 – ffff	RESERVED		0011_0000
SPI	1840_0000	SPI Control	R/W	0000_0000
	_0004	SPI Mode 0	R/W	0000_0000
	_0008	Reserved	R/W	
	_000c	Reserved	R/W	
	_0010	Reserved	R/W	
	_0014	Reserved	R/W	
	_0018	SPI Tx Data	W	N/a
	_001c	SPI Rx Data (R) / Rx Flush (W)	R/W	0000_00xx
	_0020	SPI Interrupt Pending Register	R/W	0000_0000
	_0024	SPI Interrupt Enable Register	R/W	0000_0000
	_0028	SPI Status Register	R	0000_0001
	0002c – ffff	RESERVED		0000_0000
IIC	1850_0000	IIC Control Register	R/W	0000_0000
	_0004	IIC Buffer Register	R/W	Xxxx_xxxx
	_0008	IIC Baud Rate Register	R/W	0000_0000
	_000c	IIC Data Length (in Byte)	R	0000_0000
	_0010	IIC Device Address	R/W	0000_0000
	00014 – ffff	RESERVED		0000_0000

Table 2.5 Register Map at AMBA Host-Bus

BLOCK	ADDRESS	NAME	R/W	Reset Value
ROM Controller	1900_0000	ROM Timing Control for Bank 0	R/W	0333_00ff
	_0004	ROM Timing Control for Bank 1	R/W	03ff_ffff
	_0008	ROM Timing Control for Bank 2	R/W	03ff_ffff
	0000c – 7ffc	RESERVED		0000_0000
SDRAM Controller	1908_0000	SDRAM Configuration	R/W	0000_003f
	_0004	Reserved		
	_0008	Reserved		
	_000c	Reserved		
	_0010	SDRAM timing parameters	R/W	7777_ff71
	_0014	Refresh interval value & MCLK timing	R/W	1303_0000
	_0018	Initialize start register	R/W	0000_0000
	_001c	Booting Control Register	R/W	0000_0000
	80020 – 7ffc	RESERVED		0000_0000
DMA Controller	1910_0000	DMA Initial Source Register for channel 0	R/W	0000_0000
	_0004	DMA Initial Destination Register for CH0	R/W	0000_0000
	_0008	DMA Control Register for CH0	R/W	0000_0000
	_000c	DMA Status Register for CH0	R	0000_0000
	_0010	DMA Current Source Register for CH0	R	0000_0000
	_0014	DMA Current Destination Register for CH0	R	0000_0000
	_0018	DMA Mask Trigger Register for CH0	R/W	0000_0000
	_001c	Reserved		
	_0020	DMA Initial Source Register for channel 1	R/W	0000_0000
	_0024	DMA Initial Destination Register for CH 1	R/W	0000_0000
	_0028	DMA Control Register for CH 1	R/W	0000_0000
	_002c	DMA Status Register for CH 1	R	0000_0000
	_0030	DMA Current Source Register for CH 1	R	0000_0000
	_0034	DMA Current Destination Register for CH 1	R	0000_0000
	_0038	DMA Mask Trigger Register for CH 1	R/W	0000_0000
	0003c – fffc	RESERVED		0000_0000

Enet Mac 0 Controller	1920_0000	MAC mode register	R/W	0002_0630
	_0004	Interrupt Source register	R/W	0000_0000
	_0008	Interrupt Mask register	R/W	0000_0000
	_000c	Inter-frame gap register	R/W	0000_0018
	_0010	Collision control register	R/W	000f_2010
	_0014	Transmit buffer base address Low	R/W	0000_0000
	_0018	Transmit buffer length Low	R/W	0000_0000
	_001c	Receive buffer base address	R/W	0000_0000
	_0020	Receive buffer status	R	0000_0000
	_0024	Receive buffer level	R/W	0000_0000
	_0028	Receive buffer base address return	R/W	0000_0000
	_002c	Control mode register	R/W	0000_0000
	_0030	MII mode register	R/W	00f3_6400
	_0034	MII command register	R/W	0000_0000
	_0038	MII transmit data	R/W	0000_0000
	_003c	MII receive data	R/W	0000_0000
	_0040	Reserved	R/W	0000_0000
	_0044	Max, Min, burst length register	R/W	05dc_2e90
	_0048	Multicast Address (Most significant)	R/W	0000_0000
	_004c	Multicast Address (Least significant)	R/W	0000_0000
	_0050	MAC address 0 (Higher 2 bytes)	R/W	0000_0000
	_0054	MAC address 0 (Lower 4 bytes)	R/W	0000_0000
	_0058	MAC address 1 (Higher 2 bytes)	R/W	0000_0000
	_005c	MAC address 1 (Lower 4 bytes)	R/W	0000_0000
	_0060	MAC address 2 (Higher 2 bytes)	R/W	0000_0000
	_0064	MAC address 2 (Lower 4 bytes)	R/W	0000_0000
	_0068	MAC address 3 (Higher 2 bytes)	R/W	0000_0000
	_006c	MAC address 3 (Lower 4 bytes)	R/W	0000_0000
	_0070	MAC address 4 (Higher 2 bytes)	R/W	0000_0000
	_0074	MAC address 4 (Lower 4 bytes)	R/W	0000_0000
	_0078	MAC address 5 (Higher 2 bytes)	R/W	0000_0000
	_007c	MAC address 5 (Lower 4 bytes)	R/W	0000_0000
_0080	MAC address 6 (Higher 2 bytes)	R/W	0000_0000	
_0084	MAC address 6 (Lower 4 bytes)	R/W	0000_0000	
_0088	MAC address 7 (Higher 2 bytes)	R/W	0000_0000	

	_008c	MAC address 7 (Lower 4 bytes)	R/W	0000_0000
	_0090	Pause frame address (Higher 2 bytes)	R/W	0000_0180
	_0094	Pause frame address (Lower 4 bytes)	R/W	c200_0001
	_0098	Pause frame Type / Op. code	R/W	8808_0001
	_009c	Pause frame delay value	R/W	0000_0018
	_00a0	Transmit buffer base address (High priority)	R/W	0000_0000
	_00a4	Transmit buffer length (High priority)	R/W	0000_0000
	_00a8	TX queue buffer level (Low)	R	0000_0000
	_00ac	TX address return (Low)	R	0000_0000
	_00b0	TX queue buffer level (High)	R	0000_0000
	_00b4	TX address return (High)	R	0000_0000
	000b8 – 00ffc	RESERVED		0000_0000
Enet Mac 1 Controller	1920_1000	Same Configuration as Enet Mac 0 Controller		
	...			
	_10c8			
	010cc – ffffc	RESERVED		0000_0000
Interrupt Controller	1930_0000	Source Pending Register	R/W	0000_0000
	_0004	Interrupt Mode Register	W	0000_0000
	_0008	Interrupt Enable Mask Register	R/W	ffff_ffff
	_000c	Interrupt Priority Control Register	W	0000_003f
	_0010	Interrupt Pending Register	R/W	0000_0000
	_0014	Interrupt Offset Register	R	0000_0020
	00018 – ffffc	RESERVED		Prev_Read_value
PCMCIA Controller	1940_0000	Identification Register	R	0000_0082
	_0004	Interface Status Register (VS_in)	R	0000_0000
	_0008	Interface Control Register (VS_out)	R/W	0000_0000
	_000c	General Control Register	R/W	0000_0001
	_0010	Card Status Change Register	R	
	_0014	Card Status Change Enable Register	R/W	0000_0000
	_0018	Setup Timing 0 Register for Bank 0	R/W	0000_000f
	_001c	Command Timing 0 Register for Bank 0	R/W	0000_000f
	_0020	Recovery Timing 0 Register for Bank 0	R/W	0000_000f
	_0024	Setup Timing 1 Register for Bank 1	R/W	0000_000f
	_0028	Command Timing 1 Register for Bank 1	R/W	0000_000f
	_002c	Recovery Timing 1 Register for Bank 1	R/W	0000_000f

	_0030	Setup Timing 2 Register for Bank 2	R/W	0000_000f
	_0034	Command Timing 2 Register for Bank 2	R/W	0000_000f
	_0038	Recovery Timing 2 Register for Bank 2	R/W	0000_000f
	_003c	Reserved		
	_0040	I/O Start Address 0	R/W	
	_0044	I/O End Address 0	R/W	N/a
	_0048	I/O Start Address 1	R/W	0000_0000
	_004c	I/O End Address 1	R/W	0000_0000
	_0050	Direction control for GPIO-0 (Low)	R/W	0000_0000
	_0054	Direction control for GPIO-1 (High)	R/W	0000_0000
	_0058	Output value for GPIO-0 (Low)	R/W	0000_0000
	_005c	Output value for GPIO-1 (High)	R/W	0000_0000
	_0060	Input value of GPI-0 (Low)	R/W	0000_0000
	_0064	Input value of GPI-1 (High)	R/W	0000_0000
	00068 – 7fffc	RESERVED		0000_0000
CardBus Controller	1948_0000	CardBus Bridge Command Register	R/W	0000_0000
	_0004	CardBus Bridge Status Register	R/W	0000_0000
	_0008	Retry Time Control Register	R/W	0000_0000
	_000c	Clock Speed Selection Register	R/W	0000_0000
	80020 – ffffc	RESERVED		0000_0000
Cache	1950_0000	Cache Control Register	R/W	0000_0000
	00004 – ffffc	RESERVED		Cache_con_reg

2.1.4. ARM7TDMI Core

Please refer to ARM7TDMI manual.

2.2. Cache

This section describes the cache system of HMS30C7110®.

2.2.1. Architecture

The cache of HMS30C7110® has the following characteristics.

1. 4K byte unified (data + instruction)
2. 4-way set associative
3. 64 sets
4. Write back policy
5. Read miss line fill up
6. 8 words depth write buffer

This cache uses “write back policy” for high performance in write accesses to cacheable area. To ensure the memory consistency between cache and main memory it supports user controllable line flush mechanism. The 8 word-depth write-buffer is used to further boost up the performance.

The bit position 31 of address (most significant bit) determines whether the access is cacheable or non-cacheable. Value of 0 at the 31st address bit (0x00000000H to 0x0ffffffH) is for cacheable area, while 1 (0x10000000H to 0x1ffffffH) is for non-cacheable area.

The write buffer receives and keeps write accesses to cacheable/non-cacheable area and performs actual memory accesses when the bus is idle, program flow (dependency) forces, or user forces. Accesses to cacheable/non-cacheable area originally do not go into write buffer, i.e., directly go to main memory. However, user can change this by programming user controllable registers.

2.2.2. User Accessible Registers (Base = 0x1950_0000)

There is one 32bit register to control the cache and write buffer operations (offset = 0x0).

Table 2.6 Cache and Write Buffer Control Register

Address : **1950_0000**

Bits	Access	Default	Description
31:20	RW	0x0	Reserved and should be set to 0.
19	RW	0x0	This bit controls Burst Selection.

			<p>0 – Out HBURST as 3'b011 (Increment 4) 1 – Out HBURST as 3'b001 (Increment)</p>
18	RW	0x0	<p>This bit controls the use of cache.</p> <p>0 – Cache is used for Data and Instruction (Unified) 1 – Cache is used only for Instruction (I-Cache)</p>
17	RW	0x0	<p>This bit controls the “bufferability” of write accesses to cacheable areas.</p> <p>0 – accesses to cacheable area are not stored into the write buffer. 1 – accesses to cacheable area are stored into the write buffer.</p> <p>Buffering write accesses to cacheable area can increase the performance, but in some cases it may cause problems. So it should be used with care. We recommend using the default value (non-bufferable) if user is not sure how to handle the consistency problem.</p>
16	W	0x0	<p>This bit flushes the current contents of the write buffer to the main memory (1 – flush). This is recommended to be used only when the cache is off. Normally it is better to read the same address of the previous write to flush the write buffer.</p>
15:13	RW	0x0	<p>These 3 bits control the burst length of the write buffer’s write operation. Value 0-7 means 1-8 burst length. As an example, burst length 1 means that write buffer tries to write the content of the buffer as soon as at least one access comes into the buffer, and only one write access will be performed at a time. On the other hand, burst length 8 means that the write buffer will wait till there comes 8 write accesses into write buffer, and those accesses will be written to main memory in a single burst access.</p> <p>Generally, the larger the burst length, the higher the bus efficiency. But the latency (from the time CPU writes a data to the actual writing to main memory) will increase as you use larger burst length.</p>
12	RW	0x0	<p>This bit controls the “bufferability” of write accesses to non-cacheable areas.</p> <p>0 – accesses to non-cacheable area are not stored into the write buffer. 1 – accesses to non-cacheable area are stored into the write buffer.</p> <p>Buffering write accesses to non-cacheable area can increase the performance, but in some cases it may cause problems. So it should be</p>

			used with care. For example, write to control registers may require the “read again” the same address to flush the write buffer.
11:6	RW	0x0	Specify the set to invalidate or flush (write back) – 0 to 63
5:4	RW	0x0	Specify the way to invalidate or flush (write back) – 0 to 3
3	W	0x0	<p>Line flush (write back)</p> <p>This bit flushes (write back) a cache line (4 words) corresponding to a specific way and a set specified in bit [5:4] and [11:6], respectively. It checks the dirty bit of a given line, write back if necessary, and then clears the valid bit. This should be activated only when the cache is off. This bit is automatically cleared to 0 as soon as the write back finishes. (Actually when cache is off, it finishes immediately even before to execute the next following instruction.) This bit is used for the consistency between the cache and the main memory after the cache is off – i.e., writes the contents of the cache if they are different (new) from those of main memory (old).</p>
2	W	0x0	<p>Line invalidate</p> <p>This bit invalidates a cache line (4 words) corresponding to a specific way and a set specified in bit [5:4] and [11:6], respectively. This clears the valid bit of a given line without writing the contents of the line to main memory. This should be activated only when the cache is off. This bit is automatically cleared to 0 as soon as the invalidation finishes. (Actually when cache is off, invalidation finishes immediately even before to execute the next following instruction.)</p>
1	RW	0x0	<p>Parallel/Sequential control (0 – parallel, 1 – sequential)</p> <p>This bit controls the access sequence of tag RAM and data RAM. Parallel access of tag RAM and data RAM is for high performance, while sequential access is for low power operations.</p>
0	RW	0x0	<p>Cache on/off (0 – off, 1 – on)</p> <p>This bit controls the on and off the cache. After reset, all the valid bits of cache are cleared to 0. So there are no required procedures to turn on the cache in the initial state. However, there should be some caution when turn off the cache since even if the cache is turned off, all the operations of the cache except the line fill is performed as usual. For example, a</p>

			<p>cache read hit can occur, and the corresponding data/inst from the cache goes to CPU. Similarly, a write hit can occur, and the corresponding data write to cache follows.</p> <p>So, after turn off the cache, user should flush all the cache lines (preferably using codes in a non-cacheable area) if he/she wants to get(put) data/inst from(to) main memory directly.</p>
--	--	--	--

2.3. Clock/Watchdog Timer

The HMS30C7110® integrates a clock module, which is composed of the clock generator, the reset de-bouncing circuit, and watchdog timer (WDT). The clock generator provides the system clock.

The main PLL multiplies the incoming external crystal clock input by 7(default). Assuming 10 MHz external clock is used and 70MHz of the CPU speed is intended, the register setting is to be “multiplying by 7”. An internal register also provides a method to determine the ratio between CPU clock and bus clock. It can be either 1:1 or 2:1. To run CPU with maximum performance, set the PLL output frequency to 70MHz and set the ratio to 1:1, then CPU runs in 70MHz and all others run at 70 MHz.

Watchdog Timer generates the reset signal internally when the timer reaches the end value. So, the controlling software must reload the preset value to the timer before the timer expires during normal operation. Complete descriptions of these registers are given in the Register Section.

2.3.1. Block Diagram

The Clock Module consists of several blocks such as a register file, a reset de-bouncer, a clock generator, and a watchdog timer.

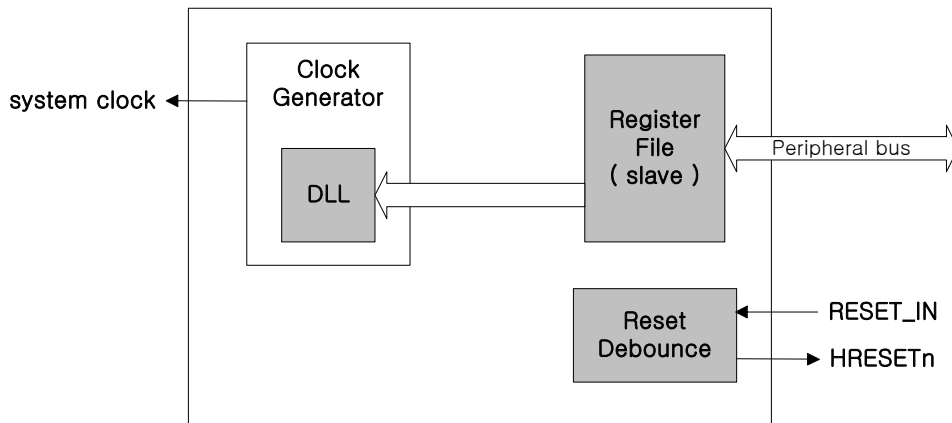


Figure 2.1 Block Diagram of Clock Module

2.3.2. User Accessible Registers (Base = 0x1830_0000)

This section describes the registers in the Clock Module. The address value on the table shows the relative address in hexadecimal. The width describes the number of bits in the register. The access field specifies the valid access type for the register, where 'RW' stands for read and writes access, and 'RO' for read only access, respectively. 'C' following 'RW' or 'RO' means the corresponding bit is cleared after writing "1" in the matching position.

Table 2.7 Registers for PLL & Watchdog Timer

Name	Address	Width	Access	Description
PLL Enable	0x00	32	RW	Enable for PLL clocks
WDT control	0x04	32	RW	Control for watch dog timer
WDT interval	0x08	32	RW	Time interval for watch dog timer
Main PLL Control	0x0c	32	RW	Control for main PLL
PLL Reset	0x10	32	R	Status of PLL

2.3.2.1. PLL Enable

This register is used to select internal three clocks between external low frequency clock and internal PLL output clock.

Table 2.8 PLL control

Address : 1830_0000

Bits	Access	Default	Description
31:4		0x00	Reserved
3	RW	0x1	Bus Clock Ratio vs. CPU clock. SCLK is from the Bus Clock. 0 = Bus Clock is Divided by 2 from CPU clock 1 = Bus Clock is delibered directly from CPU clock
2:1		0x0	Reserved

0	RW	0x0	<p>Main PLL enable</p> <p>When this bit is set to logic 1, internal CPU and system clock is made from PLL output. If this is set to logic 0, the internal CPU and system clock is made directly from external clock pin. The system clock is same to the Bus Clock or System Bus Clock.</p>
---	----	-----	---

2.3.2.2. Watch Dog Timer (WDT) Control

The Watch Dog control register selects the operation mode of watchdog timer.

Table 2.9 Watch Dog Timer control

Address : 1830_0004

Bits	Access	Default	Description
31:5		0x00	Reserved
4	RW	0x0	<p>Enable</p> <p>0 = Watch dog timer disable</p> <p>1 = Watch dog timer enable</p>
3:2		0x0	Reserved
1: 0	RW	0x0	<p>Pre-scaler</p> <p>00 = System Bus Clock</p> <p>01 = System Bus Clock/ 4</p> <p>10 = System Bus Clock/ 8</p> <p>11 = System Bus Clock/ 256</p>

2.3.2.3. Watch Dog Timer (WDT) Interval

This register contains the watchdog timer interval value. The input clock is the output clock of the pre-scaler described in *Watch Dog Timer (WDT) Control*

Table 2.10 Watch Dog Timer Interval

Address : 1830_0008

Bits	Access	Default	Description
31:0	RW	0x0	Interval (Write) or Current WDT counter value (Read) This 32-bit field contains the interval value that will be loaded to down counter periodically.

2.3.2.4. Main PLL Control

The main PLL control register selects the operating mode of PLL. Refer to H25PL12S Data sheet for more detailed information about PLL control.

Table 2.11 Main PLL Control

Address : 1830_000C

Bits	Access	Default	Description
31:29	RW	0x5	l _{fm} : loop filter mode selector. ** Use default value for normal operation, set 0x7 only if external filter logic is used for lower frequency (< 150KHz).
28:15	RW	0x0c	m : Feedback divisor
14:7	RW	0x1	n : Reference divisor VCO clock frequency will be determined with M and N based on following equation: $F_{vco} = F_{ref} \times (m+2) / (n+1)$ As a default, $F_{vco} = 10\text{MHz} \times (12+2) / (1+1) = 70\text{MHz}$.
6:5	RW	0x0	p : Post divisor This field defines division factor after VCO. For example, if p=1 and vco output frequency is 20MHz, final PLL output frequency will be 10MHz ($F_{pll} = F_{vco} / (p+1)$)
4	RW	0x0	pd : PLL power down mode except VCO If set to "1", PLL will not generate clock though VCO is still working.
3:2	RW	0x1	vc : VCO range control vector This field defines operation range of VCO. 00 : 40MHz – 100MHz 01 : 60MHz – 120MHz 10 : 80MHz – 140MHz

			11 : 100MHz – 160MHz
1	RW	0x0	vcoinit : VCO initialize signal During power-up sequence, vcoinit is recommended to be activated for more than 100ns just after deactivation of the vcpd signal.
0	RW	0x0	vcopd : VCO power down mode If set to “1”, PLL will not generate clock and VCO will stop.

$$F_{ck} = F_{ref} \times (m+2) / (n+1)$$

2.3.2.5. PLL Status

This register controls Software reset of PLL and some of control signals of PLL module and indicates PLL locking status.

Table 2.12 PLL Status

Address : 1830_0010

Bits	Access	Default	Description
31	RW	0x0	BYPASS, PLL bypass mode “active high”
30	RW	0x0	Cnttest, PLL counter toggle test “active high”
29	RW	0x0	Lfo, PLL External loop filter port “ analog”
28:25	RW	0xa	ICP, PLL charge pump bias current control vector
24	RW	0x0	Tdm, PLL digital part test mode “active high”
23:22	RW	0x0	Tpdud, PLL charge pump test mode (Normal mode ‘00’)
21:5		0x0	Reserved
4	RW	0x0	PLL Software RESET “active high”
3:1		0x0	Reserved
0	R	0x0	Main PLL locking end: high active

Refer MAGNACHIP PLL User guide

2.4. Memory Controller (Flash/ROM)

The HMS30C7110® has integrated External Bus controller that supports 8-bit/16-bit/32-bit data bus width. The space is divided into 3 static memory (FLASH/ROM) banks. Each bank has fixed size of 4MB. The operating clock of external bus controller is the internal system bus clock. The bus timing exclusively depends on the register programming. The external bus controller is fully configurable through a set of control register. Complete descriptions of these registers are given in the Register Section.

The twenty-two address lines, RA [21:0], allow HMS30C7110® to support up to 1M×32 bit, 2M×16 bit, or 4M×8 bit space. Three nRCS lines make three times bigger space.

Each block can be configured independently for the bus style, the wait enable, the shaping of bus control signal.

2.4.1. Block Diagram

The external bus controller of HMS30C7110® consists of several blocks such as main state machine, register file, data-path, signal generator and address generator.

Commands fed via system bus are interpreted in the main state machine and the main state machine generates control signals to all of the signal generation blocks (address generator, signal generator and data-path) using the state signal.

The data-path block makes DATAOUT signal using HWDATA and makes HRDATA using DATAIN signal according to state signal. In write operation, the data-path block asserts the direction signal to enable output path of data pads. The signal generator makes nRCS, nOE, and nWE.

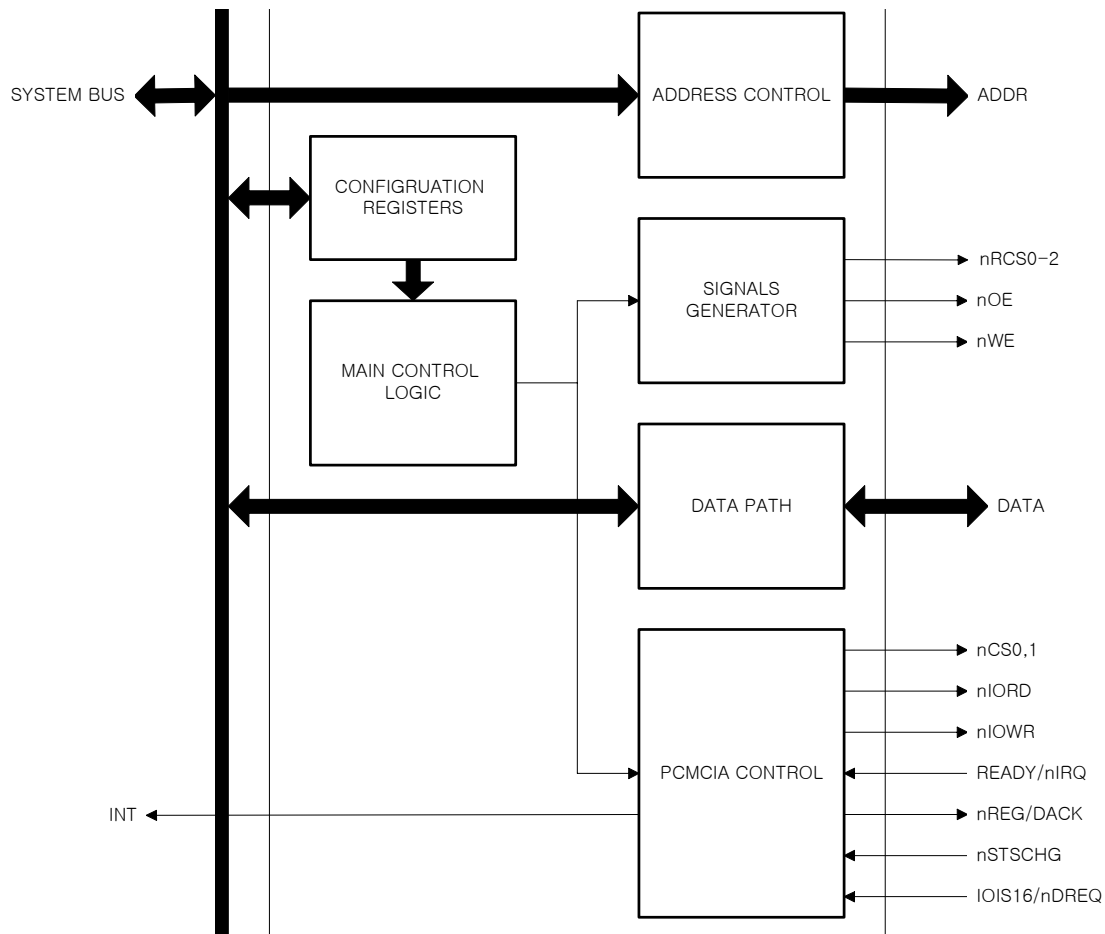


Figure 2.2 Block Diagram of External controller

2.4.2. User Accessible Registers (Base = 0x1900_0000)

This section describes the bit assignment of the configuration registers of the ROM controller. The address field indicates a relative address in hexadecimal. Width specifies the number of bits in the register and access specifies the valid access types of the register. Where RW stands for read access and write access, 'RO' for read only access. A 'C' appended to 'RW' or 'RO', indicates that some or all of the bits can be cleared after writing '1' in corresponding bit.

Table 2.13 Registers for ROM controller

Name	Address	Width	Access	Description
Configuration 0	0x00	32	RW	Timing configuration of bank 0
Configuration 1	0x04	32	RW	Timing configuration of bank 1
Configuration 2	0x08	32	RW	Timing configuration of bank 2

2.4.2.1. Configuration 0~3

These registers include timing information for all banks.

Table 2.14 Configuration Registers Bit Definition

Address : 1900_0000, 1900_0004, 1900_0008

Bits	Access	Default	Description
31:30		0	Reserved
29:28	RW	0	BUS MODE 00 = A/D non-mux style 01 = A/D mux Intel style 10 = A/D mux, Motorola style 11 = Reserved
27	RW	0	WAIT ENABLE This 1 bit field accepts/denies the external wait (GPIO2/Wait) signal pin expending the access time. 0 = disable 1 = enable
26	RW	0	This bit selects the active level of wait signal, which would be connected to GPIO2/Wait on pin 206. Each setting for each Configuration register affect only on assigned address range. 0 = active low input 1 = active high input
25:24	RW	0x3	DATA BUS WIDTH 00 = 8 bit wide bus 01 = 16 bit wide bus

			10 = 32 bit wide bus 11 = Reserved External pull-up/downs on ADDR19 and ADDR18 applies for booting configuration. Boot program should be appeared on nRCS0. Can be changed by Configuration 0 afterward.
23:20	RW	0x3 0xf	ASTB TIME This 4-bit field selects the pulse width of the address strobe signal when A/D mux bus mode is on.
19:16	RW	0x3 0xf	ADDR TIME This 4-bit field selects the address phase interval when A/D mux bus mode is on.
15:12	RW	0x0 0xf	RECOVERY TIME This 4-bit field selects the recovery time delay, this value guarantee the interval from the end of one chip select assertion to the start of another chip select assertion.
11: 8	RW	0x0 0xf	SETUP TIME This 4-bit field selects the setup time duration, this value guarantees the interval from chip select assertion to read enable or write enable assertion.
7: 4	RW	0xf	ACCESS TIME This 4-bit field selects the access time and this value guarantees the asserted pulse width of read enable or write enable signal.
3: 0	RW	0xf	HOLD TIME This 4-bit field selects the hold time duration and this value guarantees the interval from read enable or write enable de-assertion to chip select de-assertion.

Note: The first value in the boxes with two defaults values show the default for ROM Bank0 and the second value for the remaining two Banks, Bank1 and Bank2.

Note: All units are based on the main clock period.

2.4.3. Timing Diagram

2.4.3.1. Read Access

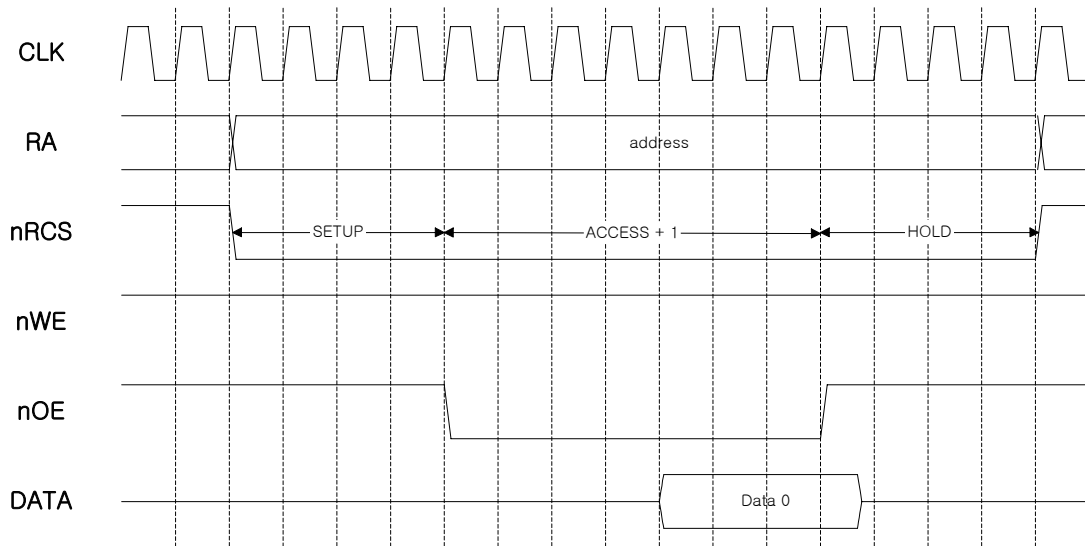


Figure 2.3 Read cycle timing (setup = 4, access = 6, hold = 4)

2.4.3.2. Write Access

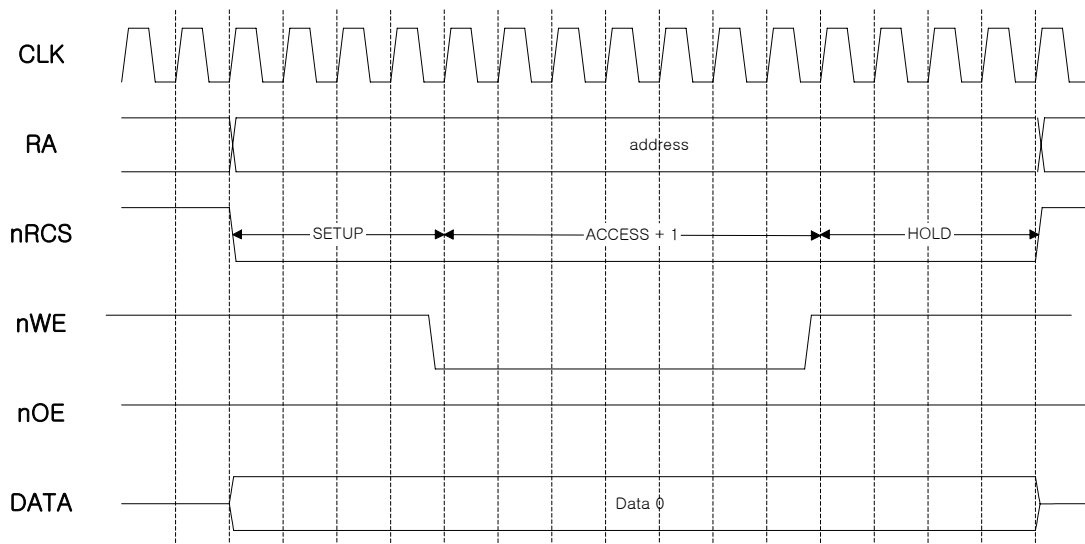


Figure 2.4 Write timing (setup = 4, access = 6, hold = 4)

2.5. Memory Controller (SDRAM)

The HMS30C7110® integrates a SDRAM controller (SDRAMC) that supports a 32-bit SDRAM array. EDO or FPM type DRAM is not supported. The operating clock is directly related to the internal system bus speed. When the system bus clock runs at 70MHz, the SDRAMC runs at 70MHz. When the system bus clock runs at 35MHz, the SDRAMC runs at 35MHz. The system clock can be selected by PLL output clock or half of PLL output clock. The SDRAMC is fully configurable through a set of control register. Complete descriptions of these registers are given in the Register Section. The operating clock of SDRAMC is shown on SCLK.

Note: SDRAM space works either in 32-bit wide or in 16-bit wide. So, any design using the SDRAM space as program memory space, it can be either 32-bit wide memory structure or 16-bit wide structure. Being used as data memory space, SDRAM may be connected to 8-bit wide data bus sacrificing the address corresponding to unconnected data bus.

The thirteen multiplexed address lines, MA[12:0], and two bank select signals, A13 and A14, allow the HMS30C7110® to support 1M, 2M, 4M, 8M, 16M and 32M×32 bit arrays or 1M, 2M, 4M, 8M, 16M, 32M and 64M×16 bit arrays. Both symmetric (Number of row addresses and number of column addresses are same) and asymmetric addressing (Number of row addresses and number of column addresses are different) is supported. The HMS30C7110® has one nSCS pin. The maximum block size is 128Mbytes. For write operations of less than word in size, the HMS30C7110® supports byte-wise write. The HMS30C7110® provides refresh functionality with programmable rate (normally SDRAM refresh rate is 1 / 64ms).

2.5.1. Block Diagram

The SDRAM controller of HMS30C7110® consists of several blocks such as main state machine, register file, refresh block, data-path, signal generator and address generator.

Commands come in via system bus will be interpreted in the main state machine and the main state machine controls all of the signal generation blocks (address generator, signal generator and data-

path) using state information of main state machine.

The refresh block makes bus request signal to system bus arbiter to start refresh operation and when the system bus arbiter gives bus grant signal to SDRAM controller, the main control logic detects this signal and makes refresh command to signal generator.

The data-path block makes DATAOUT signal using system write data bus and makes system read data bus using DATAIN signal according to state signal. In write operation, the data-path block asserts the direction signal to enable output path of data pads.

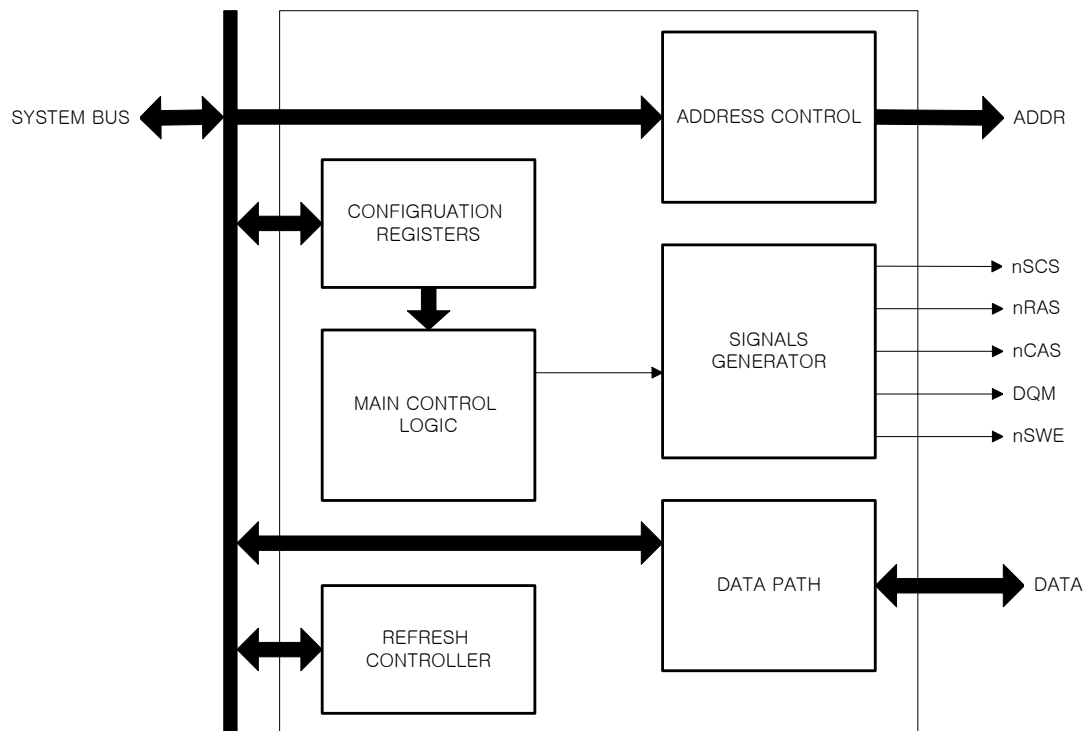


Figure 2.5 Block Diagram of SDRAM controller

2.5.2. User Accessible Registers (Base = 0x1908_0000)

This section describes all base, control and status register inside the SDRAM controller. The address field indicates a relative address in hexadecimal. Width specifies the number of bits in the register and access specifies the valid access types that register. Where 'RW' stands for read and

write access, 'RO' for read only access. A 'C' appended to 'RW' or 'RO', indicates that some or all of the bits can be cleared after a write '1' in corresponding bit.

Table 2.15 Registers for SDRAM controller

Name	Address	Width	Access	Description
Configuration	0x00	32	RW	SDRAM Configuration
Reserved	0x04	32		Reserved
Reserved	0x08	32		Reserved
Reserved	0x0C	32		Reserved
Timing	0x10	32	RW	SDRAM timing parameters
Refresh Interval	0x14	32	RW	Refresh interval value & MCLK Timing
Init control	0x18	32	RW	Initialize start register
Address Map	0x1c	32	RW	Select address area (Flash or SDRAM)

2.5.2.1. Configuration

These registers include the information of memory size of each bank.

Table 2.16 Configuration register

Address : 1908_0000

Bits	Access	Default	Description
31:22		0x0	Reserved
21:20	RW	0x0	ROW WIDTH 00 = 10-bit row width 01 = 11-bit row width 10 = 12-bit row width 11 = 13-bit row width
19:18		0x0	Reserved
17:16	RW	0x0	COLUMN WIDTH 00 = 8-bit column width 01 = 9-bit column width

			10 = 10-bit column width 11 = Reserved
15:14		0x0	Reserved
13: 8	RW	0x0	START ADDRESS (Reserved for future usage)
7: 6		0x0	Reserved
5: 0	RW	0x3f	END ADDRESS (Reserved for future usage)

2.5.2.2. Timing

This register includes the timing information for all banks.

Table 2.17 Timing register

Address : 1908_0010

Bits	Access	Default	Description
31	WO	0x0	NOP When writing 1 at this bit, it will make NOP command to SDRAM
30:28	RW	0x7	TMODE (Mode Register Set to Active Delay) This 3-bit field specifies the number of cycles guaranteed between mode register set command at the end of the initialization sequence and the first activate command.
27		0x0	Reserved.
26:24	RW	0x7	DPL (Write to Pre-charge Delay) This 3-bit field specifies the number of cycles guaranteed between write command and a pre-charge command.
23		0x0	Reserved.
22:20	RW	0x7	RCD (RAS to CAS Delay) This 3-bit field specifies the number of cycles between RAS and CAS.
19		0x0	Reserved
18:16	RW	0x7	RP (Row Pre-charge Time) This 3-bit field specifies the number of cycles needed for the pre-charge command. A RP value of zero results in a RAS pre-charge of two clocks, as if RP was selected to 1.

15:12	RW	0xf	RAS (Row Active Time) This 4-bit field specifies the number of cycles guaranteed between an activate command and a pre-charge command.
11: 8	RW	0xf	RC (Row Cycle Time) This 4-bit field specifies the number of cycles for a refresh command. It also specifies the number of cycles between bank activation commands to the same bank.
7: 6		0x0	Reserved
5: 4	RW	0x7	CL (CAS Latency) This value is used to program the SDRAM devices during the Initialization sequence, and internally by the SDRAM controller. 0 = 1 clock 1 = 2 clocks 2 = 3 clocks 3 = Reserved
3: 2		0x0	Reserved
0	RW	0x1	Row Hit Enable This value is used to enable the checking of the row address from internal logic matched with row address of destination SDRAM. It may cause one or two clock delay in accessing SDRAM but will make sure that correct operation will be happening. 0 : Do not check whether row address is HIT or not. 1 : Check whether row address is HIT or not.

2.5.2.3. Refresh Interval

This register includes refresh interval value and MCLK tuning control register.

Table 2.18 Refresh Interval

Address : 1908_0014

Bits	Access	Default	Description
31:29		0x0	Reserved.

28		0x1	Clock Select for SDRAM Read. 1 : Clock Source = SCLK output 0 : Clock Source = MCLK input
27:24		0x3	Delay for SDRAM Read Clock (0-15ns).
23:21		0x0	Reserved.
20		0x0	Clock Select for SDRAM Write. 1 : Clock Source = SCLK output 0 : Clock Source = MCLK input
19:16		0x3	Delay for SDRAM Write Clock (0-15ns).
15:13		0x0	Reserved
12: 0		0x0	Refresh Interval This 13-bit field is used to enable refresh and set the refresh period. When set to zero, refresh cycles are disabled. When set to non-zero, refresh cycles are enabled, and are requested internally based on this programmed value. RP and RC control the timing waveform of refresh cycle. This field is set to zero on the hard reset, so refreshes are disabled after a hard reset. This field is a one-based number, and is programmed in CLK period.(1/CLK) $t_{REFINT} = (REFINT + 1) / CLK$

2.5.2.4. INIT Control

This register includes init bit.

Table 2.19 INIT Control register

Address : 1908_0018

Bits	Access	Default	Description
31:1			Reserved.
0	WO	0	INIT This bit when set invokes an SDRAM power up initialization sequence. All other fields in this register must be programmed with valid values before or at the same time init is set. Once the initialization sequence is

			complete, hardware clears this bit, so it may be polled by software to determine when the SDRAM(s) is (are) available for use.
--	--	--	--

2.5.2.5. Address Map Control

This register includes data bus width selection/memory re-map bits.

Table 2.20 Address Control register

Address : 1908_001C

Bits	Access	Default	Description
31:2			Reserved.
1	RW	0	32/16Bit Data bus width selection 0 = 32 bit 1 = 16 bit
0	RW	0	SDRAM_REMAP 0 = Address 0x0000_0000 is located at Flash memory area (SDRAM will be 0x1000_0000) 1 = Address 0x0000_0000 is located at SDRAM area

2.5.3. Timing Diagram

2.5.3.1. Read/Write Access

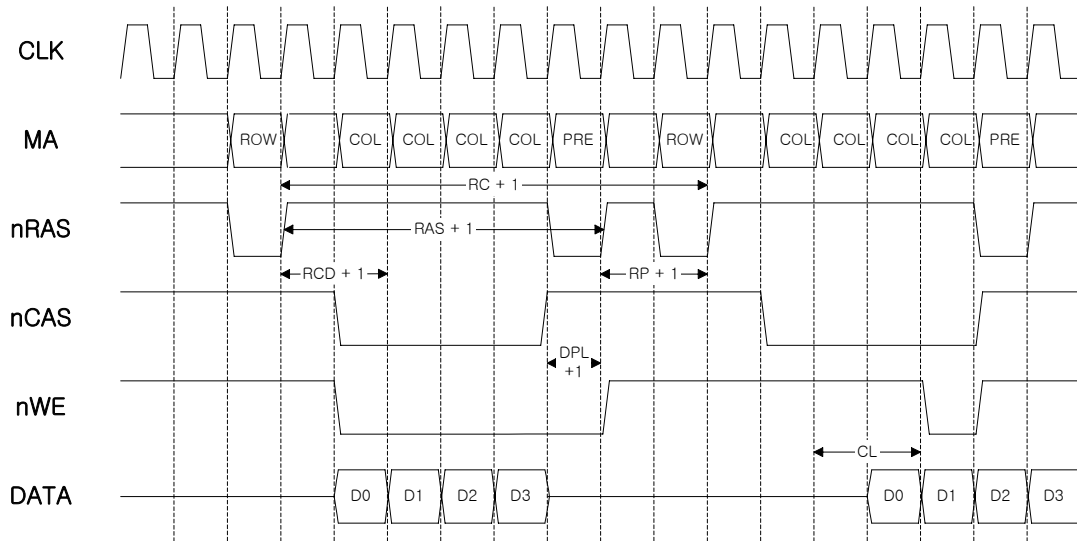


Figure 2.6 Read/Write cycle

2.5.3.2. Refresh Access

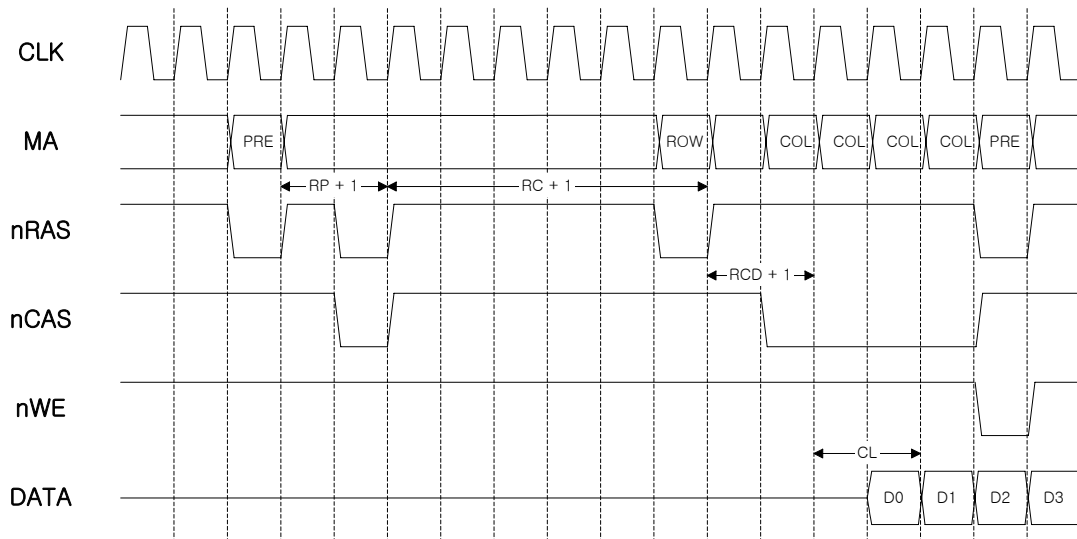


Figure 2.7 Refresh cycle

2.5.3.3. Initialization

Table 2.21 Initialization Sequence

Sequence	SDRAM requirement	Comments
1	Apply power and start clock	MCLK operates during RESET period
2	Maintain stable power and clock for at least 1 ms	Power on reset normally takes longer than 1 ms
3	NOP command (optional)	Software asserts NOP command using command register
4	Waiting for min 200 us	Software waits for 200 us using for-loop or while-loop
5		Software sets valid values in Timing registers
6		Software sets the refresh interval
7	Pre-charge all banks of all blocks	Software sets the init bit of command register
8	Perform 20 times refresh cycles	
9	Program SDRAM mode register	
10		Polling the init bit and if init bit is cleared, then initialization is finish

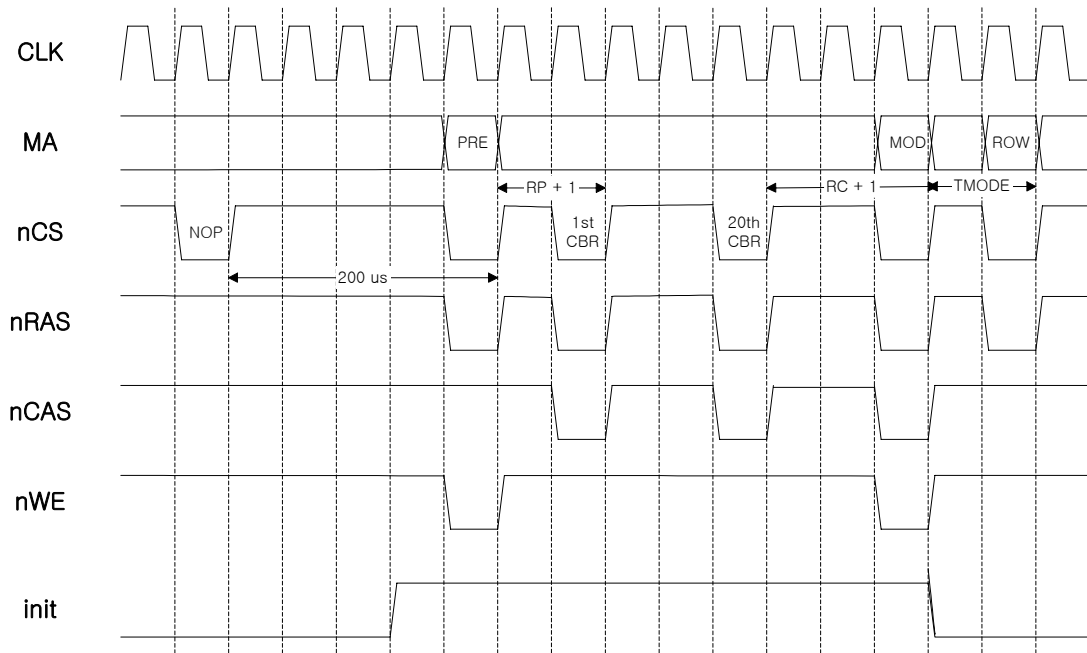


Figure 2.8 Initialization timing

2.6. Ethernet MAC

HMS30C7110® provides an Ethernet Media Access Controller (MAC) that operates at either 10 Mbps or 100 Mbps in half-duplex or full-duplex mode. In half-duplex mode, the controller supports the IEEE 802.3 Carrier Sense Multiple Access with Collision Detection (CSMA/CD) protocol. It supports the IEEE 802.3 MAC control layer, including the pause operation for flow control for full-duplex mode.

The Ethernet MAC layer supports both Media Independent Interface (MII) / Reduced MII (RMII) and 7-wire interface. The host side supports DMA interface to the system bus. The MAC layer itself consists of the Receive and the Transmit blocks, a flow control block, multiple network address storage, and a number of commands, and status registers.

The Transmit and Receive clocks will be supplied either from Physical layer devices or external clock sources. They are either 2.5MHz at the 10 Mbps or 25MHz at the 100 Mbps. The external clock for RMII is 50MHz regardless of data rate. The MII conforms to the ISO/IEC 802-3 standard for a media-independent layer which separates physical layer issues from the MAC layer.

It also provides MAC address filtering, which is to drop frames with designated MAC addresses while all other frames are received.

2.6.1. Block Diagram

HMS30C7110® Ethernet MAC module consists of several sub-modules such as MII management, physical layer interface, Receive, Transmit, Control, and Host Interface. Frames come in via either 7-wire interface (bit-wide) or MII (nibble-wide) / RMII (di-bit-wide) and Receive module will detect Start of Frame.

Once it verifies a valid sync pattern, a frame will be stored in the MAC Receive FIFO starting from the destination address field. The state machine also monitors total number of bytes in a frame by looking at data length field. When the level of the MAC Receive FIFO is more than the threshold value, the stored frame will be read to the System Receive FIFO at system clock speed. Another state machine running at the system clock speed will detect destination address, data length, and CRC for validity of the frame. The destination address is sent to Address Compare Block for comparison with the stored MAC addresses. If the destination address is found to be a valid address, then the frame will be written into the System Receive FIFO. If the received address is a multicast

address, then CRC will be calculated over 48-bit destination address, and 5 most significant bits are used to locate one of 64 bits of the multicast address register. If the bit to be pointed by the 5 most significant bits is set, then the frame will be received. With sufficient number of bytes held in the System Receive FIFO, the DMA engine will start transfer the stored frame to the system memory space that is pre-programmed by the CPU. An interrupt will be asserted to notify that a frame transfer is completed and the CPU should write the start address of the next buffer for the next incoming frame.

In transmit operation, the CPU prepares a frame and notify the MAC that a frame is ready to transfer. The MAC DMA engine moves the frame from the system memory to System Transmit FIFO. When the state machine detects there is a frame being stored in the System Transmit FIFO and that carrier sense is not detected, the frame will be transferred. Pad byte (0x00) may be inserted if required, and CRC will be appended at the end of the frame. Preamble will be added before the frame, jam signaling will be asserted when collision occurs. The data stream will be either serialized for the 7-wire interface or converted to nibbles/bi-bits for MII/RMII.

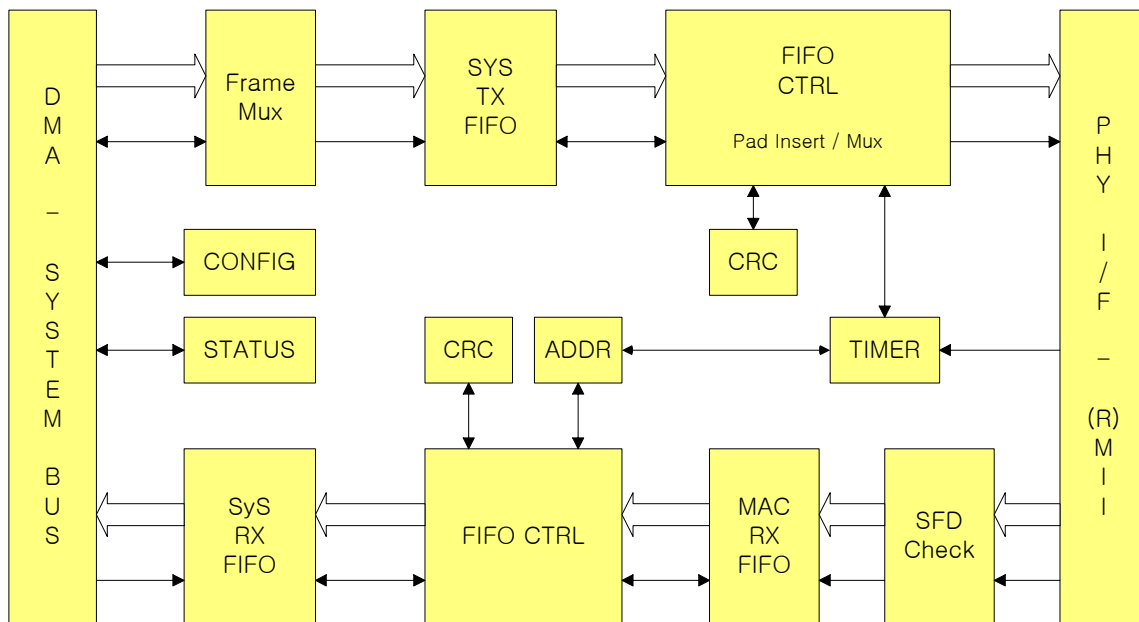


Figure 2.9 Block Diagram of Ethernet MAC

Below Table show the PHY interface I/O signals

Port	Width	Direction	Description
MTXCLK	1	I	Transmit Nibble or Symbol Clock. The PHY provides the MTXCLK signal. It operates at the frequency of 25MHz (100Mbps) or 2.5MHz (10Mbps). The clock is used as a timing reference for the transfer of MTXD[3:0], MTXEN, and MTXERR.
MTXD[3:0]	4	O	Transmit Data Nibble. Signals are the transmit data nibble. They are synchronized to the rising edge of MTXCLK. When MTXEN is asserted, PHY accepts the MTXD. If 7-wire interface is selected, MTXD[0] will carry data bits, all others will be tri-stated.
MTXEN	1	O	Transmit Enable. When asserted, signal indicates to the PHY that the data MTXD[3:0] is valid and the transmission can start. Then transmission starts with the first nibble of the preamble. Signal remains asserted until all nibbles to be transmitted are presented to the PHY. It is deasserted prior to the first MTXCLK following the final nibble of a frame.
MTXERR	1	O	Transmit Coding Error. When asserted for on e MTXCLK clock period while MTXEN is also asserted, it causes the PHY to transmit one or more symbols that are not part of the valid data or delimiter set somewhere in the frame being transmitted to indicate that there has been a transmit coding error.
MRXCLK	1	I	Receive Nibble or Symbol Clock. The PHY provides the MTXCLK signal. It operates at the frequency of 25MHz (100Mbps) or 2.5MHz (10Mbps). The clock is used as a timing reference for the reception of MRXD[3:0], MRXDV and MRXERR.
MRXDV	1	I	Receive Data Valid. The PHY asserts this signal to indicate to the RX MAC that it is presenting the valid nibbles on the MRXD[3:0] signals. Signal is asserted synchronously to the MRXCLK. MRXDV is asserted from the first recovered nibble of the frame to the final recovered nibble. It is then deasserted

			prior to the first MRXCLK that follows the final nibble.
MRXD[3:0]	4	I	Receive Data Nibble. Signals are the receive data nibble. They are synchronized to the rising edge of MRXCLK. When MRXDV is asserted, the PHY sends a data nibble to the RX MAC. For a correctly interpreted frame, seven bytes of a preamble and a completely formed SFD must be passed across the interface. If 7-wire interface is selected, MRXD[0] will carry data bits, all others will be unused.
MRXERR	1	I	Receive Error. PHY asserts this signal to indicate to the RX MAC that a media error was detected during the transmission of the current frame. MRXERR is synchronous to the MRXCLK and is asserted for one or more MRXCLK clock periods and then deasserted.
MCOLL	1	I	Collision Detected. The PHY asynchronously asserts the collision signal MCOLL after the collision is detected on the media. When deasserted, no collision is detected on the media.
MCRS	1	I	Carrier Sense. The PHY asynchronously asserts the carrier sense MCRS signal after the medium is detected in a non-idle state. When deasserted, signal indicates that the media is in the idle state (and the transmission can start).
MDC	1	I	Management Data Clock. Clock for the MDIO serial data channel.
MDIO	1	I/O	Management Data Input/Output. Bi-directional serial data channel for PHY/STA communication.

PHY Interface Signals

2.6.2. User Accessible Registers (Base = 0x1920_0000)

This section describes registers inside the Ethernet MAC. The address field in the following table indicates an address offset in hexadecimal from Ethernet Base Address defined in the CPU section. Width specifies the number of bits in the register and access specifies the valid access types of the register. Where 'RW' stands for read and write access, 'RO' for read only access. A 'C' indicates

that some or all of the bits are auto cleared. Base address of Ethernet MAC 1 is 0x1920_1000.

Table 2.22 Registers for Ethernet MAC

Name	Address	Width	Access	Description
MAC_MODE	0x00	32	RW	MAC mode register
INT_SRC	0x04	32	RW	Interrupt source register
INT_ENABLE	0x08	32	RW	Interrupt enable register
IF_GAP	0x0C	32	RW	Inter-frame gap register
COLL_CFG	0x10	32	RW	Collision control register
TX_BADDR	0x14	32	RW	Transmit buffer base address
TX_LENGTH	0x18	32	RW	Transmit buffer length
RX_BADDR	0x1C	32	RW	Receive buffer base address
RX_BSTAT	0x20	32	RO	Receive buffer status
RX_BUFLVL	0x24	32	RO	Address/Status buffer level
RX_ADDR_BACK	0x28	32	RO	Receive buffer base address return
CTRL_MODE	0x2C	32	RWC	Control mode register
MII_MODE	0x30	32	RW	MII mode register
MII_CMD	0x34	32	RWC	MII command register
MII_TXDATA	0x38	32	RW	MII transmit data
MII_RXDATA	0x3C	32	RW	MII receive data
RESERVED	0x40	32		Reserved
LENGTH	0x44	32	RW	Max, Min, burst length register
MCAST_ADDR_0	0x48	32	RW	Multicast Address (Most significant)
MCAST_ADDR_1	0x4C	32	RW	Multicast Address (Least significant)
MAC_ADDR_00	0x50	32	RW	MAC address 0 (Most significant 2 bytes)
MAC_ADDR_01	0x54	32	RW	MAC address 0 (Least significant 4 bytes)
MAC_ADDR_10	0x58	32	RW	MAC address 1 (Most significant 2 bytes)
MAC_ADDR_11	0x5C	32	RW	MAC address 1 (Least significant 4 bytes)
MAC_ADDR_20	0x60	32	RW	MAC address 2 (Most significant 2 bytes)
MAC_ADDR_21	0x64	32	RW	MAC address 2 (Least significant 4 bytes)
MAC_ADDR_30	0x68	32	RW	MAC address 3 (Most significant 2 bytes)

MAC_ADDR_31	0x6C	32	RW	MAC address 3 (Least significant 4 bytes)
MAC_ADDR_40	0x70	32	RW	MAC address 4 (Most significant 2 bytes)
MAC_ADDR_41	0x74	32	RW	MAC address 4 (Least significant 4 bytes)
MAC_ADDR_50	0x78	32	RW	MAC address 5 (Most significant 2 bytes)
MAC_ADDR_51	0x7C	32	RW	MAC address 5 (Least significant 4 bytes)
MAC_ADDR_60	0x80	32	RW	MAC address 6 (Most significant 2 bytes)
MAC_ADDR_61	0x84	32	RW	MAC address 6 (Least significant 4 bytes)
MAC_ADDR_70	0x88	32	RW	MAC address 7 (Most significant 2 bytes)
MAC_ADDR_71	0x8C	32	RW	MAC address 7 (Least significant 4 bytes)
P_FRM_ADDR_0	0x90	32	RW	Pause frame address (Most significant 2 bytes)
P_FRM_ADDR_1	0x94	32	RW	Pause frame address (Least significant 4 bytes)
P_FRM_ID	0x98	32	RW	Pause frame Type / Op. code
P_FRM_VALUE	0x9C	32	RW	Pause frame delay value
H_TX_BADDR	0xA0	32	RW	High priority queue TX address
H_TX_LENGTH	0xA4	32	RW	High priority queue TX length
TX_BUF_LVL_L	0xA8	32	RO	TX queue buffer level
TX_ADDR_BK_L	0xAC	32	RO	TX address return
TX_BUF_LVL_H	0xB0	32	RO	TX high priority queue buffer level
TX_ADDR_BK_H	0xB4	32	RO	TX high priority queue address back buffer level
RX_TIMER	0xB8	32	RW	RX timer register
RX_LEVEL	0xBC	32	RW	RX level register
TX_TIMER	0xC0	32	RW	TX timer register
TX_LEVEL_H	0xC4	32	RW	TX level register High
TX_LEVEL_L	0xC8	32	RO	TX level register Low

2.6.2.1. MAC_MODE (offset = 0x00)

This register defines general operation mode of the Ethernet MAC.

Table 2.23 MAC Mode Register Bit Definition

MAC0 Address : 1920_0000

MAC1 Address : 1920_1000

Bits	Access	Default	Description
31	RW	0	UNICAST_ENABLE 0 = Disable receiving unicast frames 1 = Enable receiving unicast frames
30	RW	0	MULTICAST_ENABLE 0 = Disable receiving multicast frames 1 = Enable receiving multicast frames
29	RW	0	BROADCAST_ENABLE 0 = Disable receiving broadcast frames 1 = Enable receiving broadcast frames
28	RW	0	RECEIVE_ALL_ENABLE 0 = Frames will be received based on Bits [31:29]. 1 = Enable receiving all frames. When “1”, if any MAC address is set to be valid, the frame with valid MAC address will be dropped (see valid bit of MAC address registers).
27:19		0	Reserved
18	RW	0	TX Error signaling 0 = LOW output at TX_ER pin for error signaling 1 = HIGH output at TX_ER pin for error signaling
17	RW	1	TX data valid polarity 0 = active low data valid output to PHY 1 = active high data valid output to PHY
16	RW	0	TX_EN 0 = Disable TX after the current frame is transmitted 1 = Enable TX
15:11		0	Reserved
10	RW	1	RX Error polarity 0 = active low error output to PHY 1 = active high error output to PHY

9	RW	1	RX data valid polarity 0 = active low data valid input from PHY 1 = active high data valid input from PHY
8	RW	0	RX_EN 0 = Receive disabled after the current packet is received 1 = Receive enabled
7	RW	0	Speed 1 = 100Mbps 0 = 10Mbps
6	RW	0	RMII Enable 1 = RMII mode regardless of bit[1] 0 = MII or 7-wire mode according to bit[1]
5	RW	1	Collision polarity 0 = active low collision input from PHY 1 = active high collision input from PHY
4	RW	1	Carrier Sense polarity 0 = active low carrier sense input from PHY 1 = active high carrier sense input from PHY
3	RW	0	Loop-back mode 0 = normal operation 1 = Enable MAC loop-back
2	RW	0	Full / Half Duplex mode 0 = Half duplex mode 1 = Full duplex mode
1	RW	0	Interface Select 0 = 7-wire 1 = MII
0	RWC	0	Reset MAC 0 = Normal operation 1 = Reset active (auto-clear after reset is done)

2.6.2.2. INT_SRC (offset = 0x04)

The Ethernet MAC provides 30 interrupt sources.

Table 2.24 Interrupt Source Bit Definition

MAC0 Address : 1920_0004

MAC1 Address : 1920_1004

Bits	Access	Default	Description (Write “1” to clear each bit)
31	RW	0	1 = MII PHY interrupt
30	RW	0	1 = MII Scan interrupt
29	RW	0	1 = TX error at PHY
28	RW	0	1 = RX error at PHY
27	RW	0	1 = TX address return buffer overflow.
26	RW	0	1 = TX address return buffer underflow
25	RW	0	1 = Collision Detected
24	RW	0	1 = Carrier Sense Detected
23		0	Reserved.
22	RW	0	1 = TX complete (high priority queue)
21	RW	0	1 = Late collision detected
20	RW	0	1 = TX completed (low priority queue)
19	RW	0	1 = SYS TX FIFO overflow
18	RW	0	1 = SYS TX FIFO underflow
17	RW	0	1 = MAC TX FIFO overflow
16	RW	0	1 = MAC TX FIFO underflow
15	RW	0	1 = TX length buffer overflow (low priority queue)
14	RW	0	1 = TX length buffer underflow (low priority queue)
13	RW	0	1 = TX address buffer overflow (low priority queue)
12	RW	0	1 = TX address buffer underflow (low priority queue)
11	RW	0	1 = RX status buffer overflow
10	RW	0	1 = RX status buffer underflow
9	RW	0	1 = RX address buffer overflow
8	RW	0	1 = RX address buffer underflow

7		0	Reserved
6	RW	0	1 = RX frame cut due to bus busy & excessive incoming frames
5	RW	0	1 = RX frame dropped due to no buffer assigned.
4	RW	0	1 = RX completed.
3	RW	0	1 = SYS RX FIFO overflow
2	RW	0	1 = SYS RX FIFO underflow
1	RW	0	1 = MAC RX FIFO overflow
0	RW	0	1 = MAC RX FIFO underflow

2.6.2.3. INT_ENABLE (offset = 0x08)

Each bit of this register can be set to enable corresponding interrupt source. Writing '0' disables the source from generating interrupt.

Table 2.25 Interrupt Enable Bit Definition

MAC0 Address : 1920_0008

MAC1 Address : 1920_1008

Bits	Access	Default	Description
31	RW	0	MII PHY 0 = Interrupt disabled 1 = Interrupt enabled This bit will be set whenever PHY device sends an interrupt
30	RW	0	MII Scan 0 = Interrupt disabled 1 = Interrupt enabled This bit will be set when single read is completed in scan mode. Refer to MII_CMD register (offset = 0x34).
29	RW	0	TX error occurred at PHY 0 = Interrupt disabled 1 = Interrupt enabled
28	RW	0	RX error occurred at PHY

			0 = Interrupt disabled 1 = Interrupt enabled.
27	RW	0	TX address return buffer overflow. 0 = Interrupt disabled 1 = Interrupt enabled.
26	RW	0	TX address return buffer underflow 0 = Interrupt disabled 1 = Interrupt enabled.
25	RW	0	Collision Detected 0 = Interrupt disabled 1 = Interrupt enabled
24	RW	0	Carrier Sense Detected 0 = Interrupt disabled 1 = Interrupt enabled
23		0	Reserved.
22	RW	0	TX complete (high priority queue) 0 = Interrupt disabled 1 = Interrupt enabled
21	RW	0	Late collision detected (TX frame dropped) 0 = Interrupt disabled 1 = Interrupt enabled
20	RW	0	TX completed 0 = Interrupt disabled 1 = Interrupt enabled
19	RW	0	SYS TX FIFO overflow. 0 = Interrupt disabled 1 = Interrupt enabled
18	RW	0	SYS TX FIFO underflow. 0 = Interrupt disabled 1 = Interrupt enabled
17	RW	0	MAC TX FIFO overflow 0 = Interrupt disabled 1 = Interrupt enabled

16	RW	0	MAC TX FIFO underflow. 0 = Interrupt disabled 1 = Interrupt enabled
15	RW	0	TX length buffer overflow (low priority queue) 0 = Interrupt disabled 1 = Interrupt enabled
14	RW	0	TX length buffer underflow (low priority queue) 0 = Interrupt disabled 1 = Interrupt enabled
13	RW	0	TX address buffer overflow (low priority queue) 0 = Interrupt disabled 1 = Interrupt enabled
12	RW	0	TX address buffer underflow (low priority queue) 0 = Interrupt disabled 1 = Interrupt enabled
11	RW	0	Receive status buffer overflow 0 = Interrupt disabled 1 = Interrupt enabled
10	RW	0	Receive status buffer underflow 0 = Interrupt disabled 1 = Interrupt enabled
9	RW	0	Receive address buffer overflow 0 = Interrupt disabled 1 = Interrupt enabled
8	RW	0	Receive address buffer underflow 0 = Interrupt disabled 1 = Interrupt enabled
7		0	Reserved
6	RW	0	RX frame cut due to bus busy & excessive incoming frames 0 = Interrupt disabled 1 = Interrupt enabled
5	RW	0	Received frame is dropped due to no buffer. 0 = Interrupt disabled

			1 = Interrupt enabled
4	RW	0	RX completed 0 = Interrupt disabled 1 = Interrupt enabled
3	RW	0	SYS RX FIFO overflow. 0 = Interrupt disabled 1 = Interrupt enabled
2	RW	0	SYS RX FIFO underflow. 0 = Interrupt disabled 1 = Interrupt enabled
1	RW	0	MAC RX FIFO overflow 0 = Interrupt disabled 1 = Interrupt enabled
0	RW	0	MAC RX FIFO underflow. 0 = Interrupt disabled 1 = Interrupt enabled

2.6.2.4. IF_GAP (offset = 0x0C)

This register defines a gap time between two back-to-back frames.

Table 2.26 Inter-Frame Gap Register

MAC0 Address : 1920_000C

MAC1 Address : 1920_100C

Bits	Access	Default	Description
31:7		0	Reserved
6:0	RW	0x18	Back to Back Inter Packet Gap The recommended value is 0x0C (24 – 12 = 12) for MII, 0x54 (96 – 12 = 84) for 7-wire interface, which equals to 0.96us (100Mbps) or 9.6us (10Mbps).

2.6.2.5. COLL_CFG (offset = 0x10)

This register defines collision related parameters.

Table 2.27 Collision Configuration Definition

MAC0 Address : 1920_0010

MAC1 Address : 1920_1010

Bits	Access	Default	Description
31:16	RW	0x000F	Maximum Retry This field specifies the maximum number of consequential retransmission attempts after the collision is detected. When the maximum number is reached the MAC reports an error and stops transmitting the current packet. According to the Ethernet standard, the Maximum Retry default value is set to 0xF (15 in decimal)
15:8	RW	0x20	Write Allowance Define the margin in system fifo to prevent overflow.
7:0	RW	0x10	Collision Window Define the number of data from the start of transmission until collision is detected. If collision is detected before the number of data is reached this value, it will be considered as retry able collision.

2.6.2.6. TX_BADDR (offset = 0x14)

The start address of outgoing frame is written in this register. Writing to TX_BADDR and TX_LENGTH will initiate transmission process.

Table 2.28 Transmit Buffer Address

MAC0 Address : 1920_0014

MAC1 Address : 1920_1014

Bits	Access	Default	Description
31:0	RW	0x0	Transmit buffer start address

2.6.2.7. TX_LENGTH (offset = 0x18)

The total frame length (starting from destination address to the end of frame, excluding CRC field) should be written to this register.

Table 2.29 Transmit Buffer Length

MAC0 Address : 1920_0018

MAC1 Address : 1920_1018

Bits	Access	Default	Description
31:16	RW	0x00	Reserved
15:0	RW	0x00	Transmit buffer length in bytes

2.6.2.8. RX_BADDR (offset = 0x1C)

The starting address of RX buffer to store incoming frame is written to this register. RX_BADDR can hold 15 entries of the start address of RX buffer. The number of entries not taken for RX processing can be read from bits[10:8] of RX_BUFLVL (offset = 0x24). Not assigning a buffer address in time will result in an interrupt (if enabled) with INT_SRC bit[5] and the frame will be dropped.

Table 2.30 Receive Buffer Address

MAC0 Address : 1920_001C

MAC1 Address : 1920_101C

Bits	Access	Default	Description
31:0	RW	0x00	Receive buffer start address

2.6.2.9. RX_BSTAT (offset = 0x20)

This address can hold 32 entries of the status of RX frames. The number of status of frames not read can be obtained from bits[5:0] of RX_BUFLVL (offset = 0x24).

Table 2.31 Receive Frame Status

MAC0 Address : 1920_0020

MAC1 Address : 1920_1020

Bits	Access	Default	Description
31:16	RO	0x0	RX frame length
15:3		0x0	Reserved
2	RO	0x0	Control frame
1	RO	0x0	CRC error
0	RO	0x0	Length error

2.6.2.10. RX_BUFLVL (offset = 0x24)

This read only register provides buffer levels for both RX_BADDR and RX_BSTAT.

Table 2.32 Receive Buffer Level

MAC0 Address : 1920_0024

MAC1 Address : 1920_1024

Bits	Access	Default	Description
31:16		0	Reserved
23:22		0	Reserved
21:16	RO	0x0	The number of buffer address taken for RX processing
15:13		0	Reserved
13:8	RO	0x0	The number of buffer address not taken for RX processing
7:6		0	Reserved

5:0	RO	0x0	The number of RX_BSTAT available for read
-----	----	-----	---

2.6.2.11. RX_ADDR_RETURN (offset = 0x28)

This read only register provides RX address used.

Table 2.33 RX Address Return

MAC0 Address : 1920_0028

MAC1 Address : 1920_1028

Bits	Access	Default	Description
31:0	RO	0x00	RX address return

2.6.2.12. CTRL_MODE (offset = 0x2C)

This register defines two operation modes: Rx preamble and control frames. For transmit pause frame format, refer to P_FRM_ADDR_0, P_FRM_ADDR_1, P_FRM_ID, and P_FRM_VALUE starting at address offset 0x90.

Table 2.34 Control Mode Register Bit Definition

MAC0 Address : 1920_002C

MAC1 Address : 1920_102C

Bits	Access	Default	Description
31:24	RW	0	Reserved
23:20	RW	0	Reserved
19:16	RW	0	Minimum number of valid preambles for a valid RX frame 0 = No preamble byte: when SFD found, it is considered as a valid frame 1 = One preamble byte is required to be considered as a valid frame. ... 7 = Seven preamble bytes are required to be considered as a valid frame. Set to 0 for RMII mode.

			Preamble of RX packet should be byte aligned. All packets with any number of byte aligned preambles can be received as valid packets.
15:8	RW	0	Reserved
7:5	RW	0	Pause Frame Slot Request ([7] & ([6] [5])) Need more information to describe this field.
4	RW	0	Reserved
3	RW	0	TX_PAUSE Enable 0 = Disable TX Pause frame 1 = Enable TX Pause frame.
2:0	RW	0	Reserved

2.6.2.13. MII_MODE (offset = 0x30)

MII_MODE register defines various operation modes of Media Independent Interface.

Table 2.35 MII Mode Register Bit Definition

MAC0 Address : 1920_0030

MAC1 Address : 1920_1030

Bits	Access	Default	Description
31:28		0	Reserved
27:24	RW	0	Additional output delay on TX_EN, TX_ER, and TX_D[3:0]. 0x0 = 0ns 0x1 = 1ns 0xE = 14ns 0xF = 15ns
23:20	RW	0xF	Inter-Transaction gap This specifies time gap (in MDC cycles) between two consecutive MII transactions when SCAN mode. Ignored when any mode other than scan. 0x0 = Reserved

			0x1 = (number of gap cycle = 1) 0x2 = (number of gap cycles = 2) ... 0xE = (number of gap cycles = 14), 0xF = (number of gap cycles = 15)
19:18		0	Reserved
17	RW	1	Preamble 0 = No MII preamble will be used. 1 = 32-bit preamble will lead MII transaction.
16	RW	1	MDC Mode 0 = Gated MDC 1 = Continuous MDC
15:8	RW	0x64	Clock Divider This field defines a host clock divider factor. The host clock can be divided by an even number, greater than 1. The default value is 0x64 (100 in decimal).
7:1		0	Reserved
0	RWC	0	MII Reset 0 = Normal operation 1 = Reset active (auto-clear after reset is done)

2.6.2.14. MII_CMD (offset = 0x34)

This register defines command operation of MII

Table 2.36 MII Command Register Definition

MAC0 Address : 1920_0034

MAC1 Address : 1920_1034

Bits	Access	Default	Description
31:24		0	Reserved
23:19		0	Reserved

18	RWC	0	<p>READ</p> <p>0 = no operation or read complete 1 = read operation is in progress</p> <p>Setting '1' will initiate read operation. It will be auto cleared if read operation is completed. Data read from PHY will be stored at MII_RXDATA (offset = 0x3C)</p>
17	RWC	0	<p>WRITE</p> <p>0 = no operation or write complete 1 = write operation is in progress</p> <p>Setting '1' will initiate write operation. It will be auto cleared if write operation is completed. Transmit data should be written in MII_TXDATA (offset = 0x38) before setting this bit.</p>
16	RW	0	<p>Scan / setting '1' will initiate a scan operation</p> <p>0 = no operation or scan complete 1 = SCAN operation is in progress</p> <p>Scan operation will perform read operation throughout the entire range of PHY ID and register offsets. Interrupt will be generated (if enabled) whenever single read is completed. The first PHY ID and register offsets to start scan operation should be written in bits[12:8] and bits[4:0] before setting this bit. The CPU needs to clear this bit to stop scan operation.</p>
15:13		0	Reserved
12:8	RW	0	PHY address
7:5		0	Reserved
4:0	RW	0	Register address in a PHY

2.6.2.15. MII_TXDATA (offset = 0x38)

The CPU should write 16-bit TX data prior to send write command via MII_CMD register.

Table 2.37 MII Transmit Data Register

MAC0 Address : 1920_0038

MAC1 Address : 1920_1038

Bits	Access	Default	Description
31:16		0	Reserved
15:0	RW	0	Data to be written to the PHY

2.6.2.16. MII_RXDATA (offset = 0x3C)

The CPU can read contents of registers from PHY by issuing read command via MII_CMD register.

Table 2.38 MII Receive Data Register

MAC0 Address : 1920_003C

MAC1 Address : 1920_103C

Bits	Access	Default	Description
31:16		0	Reserved
15:0	RW	0	Data received from PHY

2.6.2.17. LENGTH (offset = 0x44)

This register defines upper and lower bound of payload length of a MAC frame. It also defines maximum burst transfer length between Ethernet MAC and system memory.

Table 2.39 Length Register

MAC0 Address : 1920_0044

MAC1 Address : 1920_1044

Bits	Access	Default	Description
31:16	RW	0x05dc	Maximum payload length, default = 1500 in decimal

			Frames with payload of more than this value will be truncated.
15:8	RW	0x2e	Minimum payload length, default = 46 in decimal
7:0	RW	0x10	Maximum burst transfer length in word on the system bus. default = 16 in decimal

2.6.2.18. MCAST_ADDR_0 (offset = 0x48)

This register combined with MCAST_ADDR_1 (offset = 0x4C) provides 64-bit field to qualify multicast frame destined to this Ethernet MAC. Only one bit out of 64-bits should be set to determine valid multicast address. The bit position to be set is calculated by applying CRC over destination address field of incoming multicast frame.

Table 2.40 Multicast Address (Most Significant)

MAC0 Address : 1920_0048

MAC1 Address : 1920_1048

Bits	Access	Default	Description
31:0	RW	0	Only one bit position should be set to determine that the current multicast frame is destined to this MAC

2.6.2.19. MCAST_ADDR_1 (offset = 0x4c)

Table 2.41 Multicast Address (Least Significant)

MAC0 Address : 1920_004C

MAC1 Address : 1920_104C

Bits	Access	Default	Description
31:0	RW	0	See Multicast Address 0 (offset = 0x48)

2.6.2.20. MAC_ADDR_x0 (x = 0..7) (offset = 0x50, 0x58, ..., 0x88)

This register along with the MAC_ADDR_x1 register forms a 6-byte address field of an Ethernet frame. It also provides byte ordering and valid bits for configuration. Total of eight MAC addresses are available.

Table 2.42 MAC Address 0 (Control & Byte 5, 4)

MAC0 Address : 1920_0050, 1920_0058, 1920_0060, 1920_0068, 1920_0070, 1920_0078, 1920_0080, 1920_0088

MAC1 Address : 1920_1050, 1920_1058, 1920_1060, 1920_1068, 1920_1070, 1920_1078, 1920_1080, 1920_1088

Bits	Access	Default	Description
31:24		0	Reserved
23:21		0	Reserved
20	RW	0	Byte ordering 0 = Byte 5 is the most significant byte of the address 1 = Byte 0 is the most significant byte of the address
19:17		0	Reserved
16	RW	0	VALID 0 = The address will not be compared with incoming destination address 1 = The address will be compared with incoming destination address
15:8	RW	0	Byte 5 of the Ethernet MAC address
7:0	RW	0	Byte 4 of the Ethernet MAC address

2.6.2.21. MAC_ADDR_x1 (x = 0..7) (offset = 0x54, 0x5C, ..., 0x8C)

Table 2.43 MAC Address 1 (Byte 3, 2, 1, 0)

MAC0 Address : 1920_0054, 1920_005C, 1920_0064, 1920_006C, 1920_0074, 1920_007C, 1920_0084, 1920_008C

MAC1 Address : 1920_1054, 1920_105C, 1920_1064, 1920_106C, 1920_1074, 1920_107C, 1920_1084,

1920_108C

Bits	Access	Default	Description
31:24	RW	0	Byte 3 of the Ethernet MAC address
23:16	RW	0	Byte 2 of the Ethernet MAC address
15:8	RW	0	Byte 1 of the Ethernet MAC address
7:0	RW	0	Byte 0 of the Ethernet MAC address

2.6.2.22. P_FRM_ADDR_0 (offset = 0x90)

This register along with the P_FRM_ADDR 1 register (offset 0x94) forms a 6-byte address field of an Ethernet Pause frame. It also provides byte ordering and valid bits for configuration.

Table 2.44 Pause Frame Address 0

MAC0 Address : 1920_0090

MAC1 Address : 1920_1090

Bits	Access	Default	Description
31:24	RW	0	Reserved
23:21	RW	0	Reserved
20	RW	0	Byte ordering 0 = Byte 5 is the most significant byte of the address 1 = Byte 0 is the most significant byte of the address
19:17	RW	0	Reserved
16	RW	0	VALID 0 = The address will not be compared with incoming destination address 1 = The address will be compared with incoming destination address
15:8	RW	0x01	Byte 5 of the Pause Frame Multicast address
7:0	RW	0x80	Byte 4 of the Pause Frame Multicast address

2.6.2.23. P_FRM_ADDR_1 (offset = 0x94)**Table 2.45 Pause Frame Address 1**

MAC0 Address : 1920_0094

MAC1 Address : 1920_1094

Bits	Access	Default	Description
31:24	RW	0xC2	Byte 3 of the Pause Frame Multicast address
23:16	RW	0x00	Byte 2 of the Pause Frame Multicast address
15:8	RW	0x01	Byte 1 of the Pause Frame Multicast address
7:0	RW	0x80	Byte 0 of the Pause Frame Multicast address

2.6.2.24. P_FRM_ID (offset = 0x98)

This register holds frame type identifier and operation code of Pause frame.

Table 2.46 Pause Frame Type ID and OP Code

MAC0 Address : 1920_0098

MAC1 Address : 1920_1098

Bits	Access	Default	Description
31:16	RW	0x8808	Type identifier for pause frame
15:0	RW	0x0001	Operation code for pause frame

2.6.2.25. P_FRM_VALUE (offset = 0x9C)

This register holds delay information of Pause frame. This field specifies the number of delay cycles to pause TX based on MAC_CLK, i.e., 25MHz for 100Mbps and 2.5 MHz for 10Mbps.

Table 2.47 Pause frame delay value

MAC0 Address : 1920_009C

MAC1 Address : 1920_109C

Bits	Access	Default	Description
31:16		0	Reserved
15:0	RW	0x0018	Delay value

2.6.2.26. H_TX_BADDR (offset = 0xA0)

This register holds base address of a frame to be transmitted via high priority TX queue (single entry).

Table 2.48 TX High Priority Queue Base Address

MAC0 Address : 1920_00A0

MAC1 Address : 1920_10A0

Bits	Access	Default	Description
31:0	RW	0	Base address of TX frame for high priority queue

2.6.2.27. H_TX_LENGTH (offset = 0xA4)

This register holds length of a frame to be transmitted via high priority TX queue (single entry).

Table 2.49 TX High Priority Queue Length

MAC0 Address : 1920_00A4

MAC1 Address : 1920_10A4

Bits	Access	Default	Description
31:0	R/W	0	Length of TX frame for high priority queue

2.6.2.28. TX_BUF_LVL_L (offset = 0xA8)

This register displays buffer levels of TX address buffer, TX length buffer, and TX address-back buffer of low priority TX queue.

Table 2.50 TX Low Priority Queue Level

MAC0 Address : 1920_00A8

MAC1 Address : 1920_10A8

Bits	Access	Default	Description
31:21		0	Reserved
20:16	RO	0	TX address-back buffer level
15:12		0	Reserved
12:8	RO	0	TX address buffer level
7:5		0	Reserved
4:0	RO	0	TX length buffer level

2.6.2.29. TX_ADDR_BK_L (offset = 0xAC)

This register holds up to 15 TX addresses of low priority used in transmission.

Table 2.51 TX Low Priority Queue Address Return

MAC0 Address : 1920_00AC

MAC1 Address : 1920_10AC

Bits	Access	Default	Description
31:0	RO	0	TX address back

2.6.2.30. TX_BUF_LVL_H (offset = 0xB0)

This register displays buffer levels of TX address buffer, TX length buffer, and TX address-back

buffer of high priority TX queue.

Table 2.52 TX High Priority Queue Level

MAC0 Address : 1920_00B0

MAC1 Address : 1920_10B0

Bits	Access	Default	Description
31:21		0	Reserved
20:16	RO	0	TX address-back buffer level
15:12		0	Reserved
12:8	RO	0	TX address buffer level
7:5		0	Reserved
4:0	RO	0	TX length buffer level

2.6.2.31. TX_ADDR_BK_H (offset = 0xB4)

This register holds up to 15 TX addresses of high priority used in transmission.

Table 2.53 TX High Priority Queue Address Return

MAC0 Address : 1920_00B4

MAC1 Address : 1920_10B4

Bits	Access	Default	Description
31:0	RO	0	TX address back

2.7. UART

The HMS30C7110® integrates a serial interface which supports Universal Asynchronous Receiver / Transmitter (UART) function. It is compatible with the NS16550A.

The universal asynchronous receiver / transmitter supports independent 1 channel Tx/Rx functionality. The UART supports full duplex and it has 16 bytes internal FIFOs to overcome interrupt latency for receiving and sending data.

The serial information exchanged between host PC and serial device has a synchronization bit (start of frame), stop bit (end of frame) and error detection bit (parity bit). The supported parity is even, odd, forced one, and forced zero.

The UART is designed to clear the cumulative clock jitter between host PC and UART device. When the UART detects the start bit, the clock generator synchronizes internal counter to the falling edge of start bit. For this reason, the maximum tolerable jitter rate is 5 % of BAUD rate.

The UART contains following features.

- Full duplex
- Receive FIFO of 16 bytes
- 6, 7 or 8 bits per character
- 1 or 2 stop bits
- Odd parity, even parity, forced parity or none
- Break detection and generation
- Parity, overrun and framing error detection
- Receiver timeout interrupt
- Programmable BAUD rate generator
- Two modem control signals
- Auto-flow control

2.7.1. Block Diagram

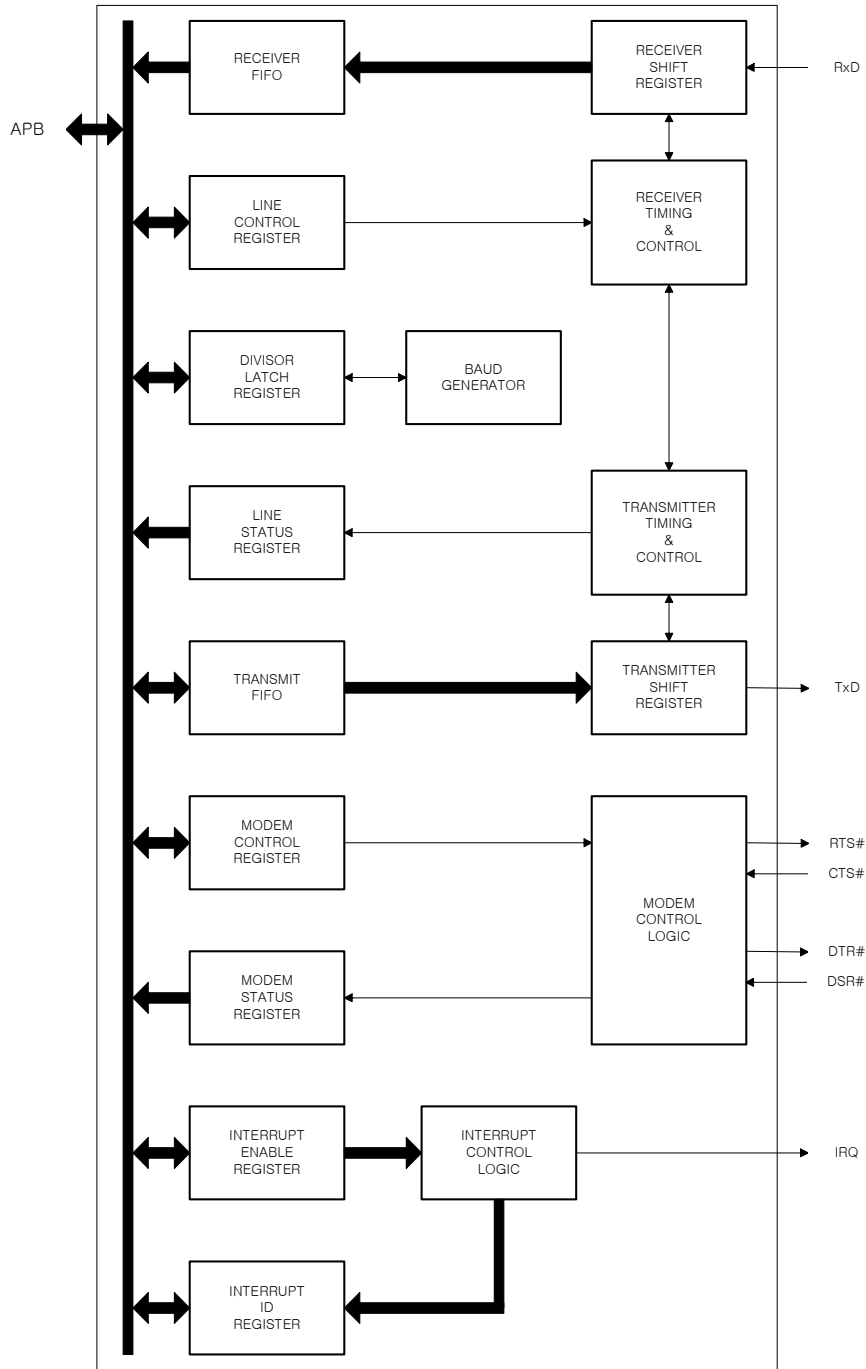


Figure 2.10 Block Diagram of UART Device

2.7.2. User Accessible Registers (Base = 0x1800_0000)

This section describes all base, control and status register inside the UART. The address field indicates a relative address in hexadecimal. The base address of UART0 is 0x18000000 and UART1 is 0x18080000. Only UART1 has a hardware flow control. Width specifies the number of bits in the register and access specifies the valid access types that register. Where RW stands for read and write access, RO for read only access. A “C” appended to RW or RO, indicates that some or all of the bits can be cleared after a write ‘1’ in corresponding bit. Base address for UART 1 is 0x1808_0000.

Table 2.54 Registers for UART

Name	Address	Width	Access	Description
RHR	0x00	8	RO	Receiver Holding Register
THR	0x00	8	WO	Transmitter Holding Register
IER	0x04	4	RW	Interrupt Enable Register
IIR	0x08	4	RO	Interrupt Identification Register
FCR	0x08	2	WO	FIFO Control Register
LCR	0x0c	7	RW	Line Control Register
MCR	0x10	4	RW	MODEM Control Register
LSR	0x14	8	RO	Line Status Register
MSR	0x18	8	RO	MODEM Status Register
DLL	0x00	8	WO	Divisor Latch LSB Register
DLM	0x04	8	WO	Divisor Latch MSB Register

*DLL and DLM are accessible ONLY when LCR bit-7 is set to “1”

2.7.2.1. Receiver Holding Register (RHR)

This register holds the received incoming data byte. Bit 0 is the least significant bit, which is transmitted and received first. Received data is double buffered; this uses an additional shift register to receive the serial data stream and convert it to a parallel 8 bit word which is transferred to the Receive Buffer register. The shift register is not accessible.

Table 2.55 RHR Bit Definition

Address : 1800_0000

Bits	Access	Default	Description
31:8		0x00	Reserved.
7: 0	RO	0x00	RECEIVE DATA This 8 bit field is loaded with receive data. The receive data is stored in FIFO. RHR has the byte data first loaded in the FIFO.

2.7.2.2. Transmitter Buffer Register (THR)

This register contains the data byte to be transmitted. The transmit buffer is double buffered, utilizing an additional shift register (not accessible) to convert the 8 bit data word to a serial format. This shift register is loaded from the Transmit Buffer when the transmission of the previous byte is complete.

Table 2.56 THR Bit Definition

Address : 1800_0000

Bits	Access	Default	Description
31:8		0x00	Reserved.
7: 0	WO	0x00	TRANSMIT DATA This 8 bit field is loaded with transmit data. The transmit data is double buffered. THR is copied to transmit shift register to convert serial data.

2.7.2.3. Interrupt Enable Register (IER)

This register enables five types of interrupts for the associated serial channel. Each interrupt can activate the interrupt request signal. It is possible to totally disable the interrupt system by resetting bits 0 through 3 of the Interrupt Enable Register (IER). Similarly, setting bits of the IER register to logic 1, enables the selected interrupt. Disabling an interrupt prevents it from being indicated as active in the IIR and from activating IRQ signal.

Table 2.57 IER Bit Definition

Address : 1800_0004

Bits	Access	Default	Description
31:4		0x00	Reserved
3	RW	0x0	MODEM Status Interrupt Enable When set to logic 1 this bit enables the MODEM Status Interrupt
2	RW	0x0	Receiver Line Status Interrupt Enable When set to logic 1 this bit enables the Receiver Line Status Interrupt.
1	RW	0x0	Transmitter Holding Register Empty Interrupt Enable When set to logic 1 this bit enables the Transmitter Holding Register Empty Interrupt.
0	RW	0x0	Receive Data Available Interrupt Enable When set to logic 1 this bit enables the Receive Data Available Interrupt and Timeout Interrupt in the FIFO Mode.

2.7.2.4. Interrupt Identification Register (IIR)

In order to provide minimum software overhead during data character transfers, each serial channel of the UART prioritizes interrupts into four levels and records these in the Interrupt Identification Register. The four levels of interrupt conditions in order of priority are Receiver Line Status; Received Data Ready; Transmitter Holding Register Empty; and MODEM Status.

Table 2.58 IIR Bit Definition

Address : 1800_0008

Bits	Access	Default	Description
31:4		0x00	Reserved
3	RO	0x0	This bit is set along with bit 2 when a timeout interrupt is pending.
2:1	RO	0x00	These two bits of the IIR identify the highest priority interrupt pending from those shown in Table 2.64.

0	RO	0x0	This bit can be used in a prioritized interrupt environment to indicate whether an interrupt is pending. When bit 0 is logic 0, an interrupt is pending and the IIR contents may be used as a pointer to the appropriate interrupt service routine. When bit 0 is logic 1, no interrupt is pending.
---	----	-----	---

Table 2.59 Interrupt Control Functions

FIFO Mode Only	Interrupt Identification Register			Interrupt Set and Reset Functions				
	Bit 3	Bit 2	Bit 1	Bit 0	Priority Level	Interrupt Type	Interrupt Source	Interrupt Reset Control
	0	0	0	1	-	None	None	-
	0	1	1	0	Highest	Receiver Line Status	Overflow Error or Parity Error or Framing Error or Break Interrupt	Reading the Line Status Register
	0	1	0	0	Second	Received Data Available	Receiver Data Available or Trigger Level Reached	Reading the Receiver Buffer Register or the FIFO Drops below the Trigger Level
	1	1	0	0	Second	Character Timeout Indication	No Characters Have Been Removed from or Input to the RCVR FIFO During the Last 4 Char. Times and There is at Least 1 Char. In it During This Time	Reading the Receiver Buffer Register
	0	0	1	0	Third	Transmitter Holding Register Empty	Transmitter Holding Register Empty	Reading the IIR Register (if Source of Interrupt) or Writing into the Transmitter Holding Register
	0	0	0	0	Fourth	MODEM Status	Clear To Send or Data Set Ready or Ring Indicator or Data Carrier Detect	Reading the MODEM Status Register

2.7.2.5. FIFO Control Register (FCR)

This is a write only register at the same location as the IIR (the IIR is a read only register). This register is used to enable the FIFOs, clear the FIFOs, set the RCVR FIFO trigger level, and select the type of DMA signaling.

Table 2.60 FCR Bit Definition

Address : 1800_0008

Bits	Access	Default	Description
31:8		0x00	Reserved
7:6	WO	0x00	These two bits are used to designate the interrupt trigger level. When the number of bytes in the RCVR FIFO is equivalent to the designated interrupt trigger level, a Received Data Available Interrupt is activated. This interrupt must be enabled by setting IER0 0 = RCVR FIFO Trigger Level is 1 1 = RCVR FIFO Trigger Level is 4 2 = RCVR FIFO Trigger Level is 8 3 = RCVR FIFO Trigger Level is 14
5:3		0x00	Reserved
2	WO	0x0	Writing a 1 to FCR2 clears all bytes in the XMIT FIFO and resets its counter logic to 0. The shift register is not cleared. The 1 that is written to this bit position is self-clearing
1	WO	0x0	Writing a 1 to FCR1 clears all bytes in the RCVR FIFO and resets its counter logic to 0. The shift register is not cleared. The 1 that is written to this bit position is self-clearing.
0		0x0	Reserved

2.7.2.6. Line Control Register (LCR)

The system programmer specifies the format of the asynchronous data communications exchange and sets the Divisor Latch Access bit via the Line Control Register (LCR). This is a read and write register. Details on each bit follow:

Table 2.61 LCR Bit Definition

Address : 1800_000C

Bits	Access	Default	Description
31:8		0x00	Reserved
7	RW	0x0	Divisor latch enable 0 = disable 1 = enable
6	RW	0x0	BREAK CONTROL It causes a break condition to be transmitted to the receiving UART. When it is set to logic 1, the serial output is forced to the Spacing state (logic 0). The break is disabled by setting this bit to logic 0.
5	RW	0x0	PARITY ENABLE When this bit is logic 1, a Parity bit is generated (transmit data) or checked (receive data) between the last data bit and Stop bit of the serial data.
4:3	RW	0x00	PARITY SELECT 0 = odd parity 1 = even parity 2 = forced one (Mark parity) 3 = forced zero (Space parity)
2	RW	0x0	STOP BIT LENGTH This bit specifies the number of Stop bits transmitted or received serial character. 0 = 1 stop bit 1 = 2 stop bit
1:0	RW	0x00	WORD LENGTH These two bits specify the number of data bits in each transmitted or received serial character. The encoding of bits 0 and 1 is as follows: 0 = 5 bits / character 1 = 6 bits / character 2 = 7 bits / character 3 = 8 bits / character

2.7.2.7. MODEM Control Register (MCR)

This register controls the interface with the MODEM or data set. Details on each bit follow:

Table 2.62 MCR Bit Definition

Address : 1800_0010

Bits	Access	Default	Description
31:6		0x00	Reserved
5	RW	0x0	AUTOFLOW When this bit is set, the auto-flow control is enabled. The auto-flow control can be configured by setting bit 1 and 5 of MCR as shown in Table 2.68.
4	RW	0x0	LOOPBACK Enable This bit provides a local loop-back feature for diagnostic testing of the associated serial channel.
3:2		0x00	Reserved
1	RW	0x0	RTS Control This bit controls the Request to Send (RTS#) output. Bit 1 affects the RTS# output in a manner identical to that described below for bit 0.
0	RW	0x0	DTR Control This bit controls the Data Terminal Ready (DTR#) output. When bit 0 is set to logic 1, the DTR# output is forced to a logic 0. When bit 0 is reset to logic 0, the DTR# output is forced to logic 1.

Table 2.63 Autoflow Control Configuration

Bit5	Bit1	Description
1	1	Auto-rts and auto-cts enabled
1	0	Auto-cts only enabled
0	X	Auto-rts and auto-cts disabled

2.7.2.8. Line Status Register (LSR)

The Register provides status information to the CPU concerning the data transfer. Details on each bit follow:

Table 2.64 LSR Bit Definition

Address : 1800_0014

Bits	Access	Default	Description
31:8		0x00	Reserved
7	RO	0x0	FIFO error This bit is set when there is at least one parity error, framing error or break indication if the FIFO. It is cleared when the CPU reads the LSR, if there are no subsequent errors in the FIFO.
6	RO	0x0	Transmitter Empty (TEMT) This bit is the Transmitter Empty indicator. Bit 6 is set to logic 1 whenever the transmitter FIFO and shift register are both empty.
5	RO	0x0	Transmitter Holding Register Empty (THRE) This bit is the Transmitter Holding Register Empty indicator. this bit is set when the XMIT FIFO is empty; it is cleared when at least 1 byte is written to the XMIT FIFO.
4	RO	0x0	Break Interrupt (BI) This bit is the Break Interrupt indicator. Bit 4 is set to logic 1 whenever the received data input is held in the Spacing (logic 0) state for longer than a full word transmission time. The BI indicator is reset whenever the CPU reads the contents of the Line Status Register or when the next valid character is loaded into the Receiver FIFO. This error is associated with the particular character in the FIFO it applies to. This error is revealed to the CPU when its associated character is at the top of the FIFO. When break occurs only one zero character is loaded into the FIFO.
3	RO	0x0	Framing Error (FE) This bit is the Framing Error indicator. Bit 3 indicates that the

			received character did not have a valid Stop bit. The FE bit is set to logic 1 when the serial channel detects logic 0 during the first Stop bit time. The FE indicator is reset whenever the CPU reads the contents of the Line Status Register. This error is associated with the particular character in the FIFO it applies to. This error is revealed to the CPU when its associated character is at the top of the FIFO.
2	RO	0x0	Parity Error (PE) This bit is the Parity Error (PE) indicator. Bit 2 indicates that the received data character does not have the correct even or odd parity. This error is associated with the particular character in the FIFO it applies to. This error is revealed to the CPU when its associated character is at the top of the FIFO.
1	RO	0x0	Overrun Error (OE) This bit is the Overrun Error indicator. Bit 1 indicates that the next character received was transferred into the Receiver Buffer Register before the CPU could read the previously received character. It is reset whenever the CPU reads the contents of the Line Status Register.
0	RO	0x0	Data Ready (DR) This bit is the receive Data Ready indicator. Bit 0 is set to logic 1 whenever a complete incoming character has been received and transferred into the Receiver FIFO. Bit 0 is reset to logic 0 by reading all of the data in the Receive FIFO.

2.7.2.9. MODEM Status Register (MSR)

This register provides the current stat of the control lines from the MODEM. Details on each bit follow:

Table 2.65 MSR Bit Definition

Address : 1800_0018

Bits	Access	Default	Description
------	--------	---------	-------------

31:6		0x00	Reserved
5	RO	0x0	DSR# This bit is the complement of the Data Set Ready input. In the loopback mode, this bit is equivalent to DTR in MCR.
4	RO	0x0	CTS# This bit is the complement of the Clear to Send input. In the loopback mode, this bit is equivalent to RTS in MCR.
3:2		0x00	Reserved
1	RO	0x0	DDSR This bit is the Delta Data Set Ready indicator. It indicates that the DSR# input to the chip has changed state since the last time it was read by the CPU.
0	RO	0x0	DCTS This bit is the Delta Clear to Send indicator. It indicates that the CTS# input to the chip has changed stat since the last time it was read by the CPU.

2.7.2.10. Divisor Latch LSB Register (DLL)

The UART contains a programmable Baud Generator. The output frequency of the Baud Generator is $16 \times$ the divisor number. The output of Baud Generator drives the transmitter and receiver sections of the associated serial channel. This register contains the lower byte of the divisor number. DLL is accessible only when LCR bit-7 is set to 1.

Table 2.66 DLL Bit Definition

Address : 1800_0000

Bits	Access	Default	Description
31:8		0x00	Reserved.
7: 0	WO	0x00	Lower byte of Divisor number

2.7.2.11. Divisor Latch MSB Register (DLM)

This register contains the higher byte of the divisor number. DLM is accessible only when LCR bit-

7 is set to 1.

Table 2.67 DLM Bit Definition

Address : 1800_0004

Bits	Access	Default	Description
31:8		0x00	Reserved.
7: 0	WO	0x00	Higher byte of Divisor number

*Baud rate = clock frequency \div (16 \times (Divisor# + 1))

2.8. TIMER

The HMS30C7110® integrates 3 channels of Timers and each channel has 32-bit down counter. The input clock of each channel is selectable among one of the 4 clock speeds, System Bus Clock/1, System Bus Clock/4, System Bus Clock/16, or System Bus Clock/256. When the clock of the system bus is 100MHz, the Timer input options are 100/25/6.25/0.4MHz. When the clock of the system is 80MHz, the Timer input options are 80/20/5/0.3125MHz. The Timers are fully configurable through a set of control registers. Complete descriptions of these registers are given in the Register Section.

2.8.1. User Accessible Registers (Base = 0x1810_0000)

This section describes all base, control and status registers inside the Timer. The address field indicates a relative address in hexadecimal. Width specifies the number of bits in the register and access specifies the valid access types that register. Where 'RW' stands for read and write access, 'RO' for read only access. A 'C' appended to 'RW' or 'RO', indicates that some or all of the bits can be cleared after a write '1' in corresponding bit.

Table 2.68 Registers for TIMER

Name	Address	Width	Access	Description
Clock Selection	0x00	3x2	RW	Input clock selection for 3 channels
Timer Control	0x04	3x2	RW	Channel enable/disable
Timer Interval 0	0x08	32	RW	Reload value for Timer Channel 0
Timer Interval 1	0x0c	32	RW	Reload value for Timer Channel 1
Timer Interval 2	0x10	32	RW	Reload value for Timer Channel 2
Timer Value 0	0x14	32	RW	Channel 0 current timer value
Timer Value 1	0x18	32	RW	Channel 1 current timer value
Timer Value 2	0x1c	32	RW	Channel 2 current timer value
INT SRC	0x20	3	RW	Interrupt pending register
INT ENABLE	0x24	3	RW	Interrupt enable register

2.8.1.1. Clock Selection

This register contains clock division values (pre-scalar) for 3 channels.

Table 2.69 Clock Selection Register Bit Definition

Address : 1810_0000

Bits	Access	Default	Description
31:10			Reserved
9: 8	RW	0	Clock Select for Timer 2 0 = System Bus Clock 1 = System Bus Clock ÷ 4 2 = System Bus Clock ÷ 8 3 = System Bus Clock ÷ 256
7: 6			Reserved
5: 4	RW	0	Clock Select for Timer 1 0 = System Bus Clock 1 = System Bus Clock ÷ 4 2 = System Bus Clock ÷ 8 3 = System Bus Clock ÷ 256
3: 2			Reserved
1: 0	RW	0	Clock Select for Timer 0 0 = System Bus Clock 1 = System Bus Clock ÷ 4 2 = System Bus Clock ÷ 8 3 = System Bus Clock ÷ 256

2.8.1.2. Timer Control

This register includes timer enable and clear bits for 3 channels.

Table 2.70 Timer Control Register Bit Definition

Address : 1810_0004

Bits	Access	Default	Description
31:10			Reserved
9	W	0	Timer 2 clear Writing '1' to this bit clears the channel 2 counter.
8	RW	0	Timer 2 enable 0 = Timer2 disable 1 = Timer2 enable
7: 6			Reserved
5	W	0	Timer 1 clear Writing '1' to this bit clears the channel 1 counter.
4	RW	0	Timer 1 enable 0 = Timer1 disable 1 = Timer1 enable
3: 2			Reserved
1	W	0	Timer 0 Clear Writing '1' to this bit clears the channel 0 counter.
0	RW	0	Timer 0 enable 0 = Timer0 disable 1 = Timer0 enable

2.8.1.3. Timer Interval 0~2

These registers include timer values.

Table 2.71 Timer Interval Register Bit Definition

Address : 1810_0008, 1810_000C, 1810_0010

Bits	Access	Default	Description
31: 0	RW	0	INTERVAL This 32-bit field contains the interval value that is loaded to the down

			counter to recount.
--	--	--	---------------------

2.8.1.4. Timer Value 0~2

These registers show the current values of the down counter.

Table 2.72 Current Timer Value Register Bit Definition

Address : 1810_0014, 1810_0018, 1810_001C

Bits	Access	Default	Description
31: 0	RO	0	CTV (Current Timer Value) This 32-bit field indicates the present value of internal down counter.

2.8.1.5. INT SRC

This register has 3 timer interrupts that occur every time the counter reaches zero.

Table 2.73 Interrupt Source Register Bit Definition

Address : 1810_0020

Bits	Access	Default	Description
31: 3		0	Reserved
2	RW	0	Expire timer 2 This bit indicates that the channel 2 down counter reaches zero value.
1	RW	0	Expire timer 1 This bit indicates that the channel 1 down counter reaches zero value.
0	RW	0	Expire timer 0 This bit indicates that the channel 0 down counter reaches zero value.

2.8.1.6. INT ENABLE

This register includes interrupt enable bits.

Table 2.74 Interrupt Enable

Address : 1810_0024

Bits	Access	Default	Description
31: 3			Reserved
2	RW	0	Expire timer 2 enable
1	RW	0	Expire timer 1 enable
0	RW	0	Expire timer 0 enable

2.9. GPIO

The HMS30C7110® integrates a GPIO module that supports 21 GPIO (General Purpose Input / Output) ports. 3 GPIO out of 21 are dedicated to GPIO feature and others are muxed to other features. Each port is configurable with input or output mode. The initial modes of all GPIO pins are set to input, so when to use in output mode, it is highly recommended to pull-up or pull-down the ports to prevent annoying vibration caused by temporary high impedance state during reset and initialization.

The GPIO is capable of interrupting the MCU when input signal triggers, and it supports one of the four kinds of interrupt source signal. Level trigger high/low and edge trigger rising/falling signal. The GPIO is fully configurable through a set of control registers. Complete descriptions of these registers are given in the Register Section.

2.9.1. User Accessible Registers (Base = 0x1820_0000)

This section describes all base, control and status registers inside the GPIO module. The address field indicates a relative address in hexadecimal. Width specifies the number of bits in the register and access specifies the valid access types to that register. 'RW' stands for read and write access and 'RO' for read only access. A 'C' appended to 'RW' or 'RO' indicates some or all of the bits can be cleared after writing '1' to the corresponding bit.

Table 2.75 Registers for GPIO

Name	Address	Width	Access	Description
GPO Data	0x00	9	RW	GPO data to I/O pins
GPI Data	0x04	12	RO	GPI data from I/O pins
GPIO Direction	0x08	9	RW	Direction for I/O pins
INT SRC	0x0c	16	RW	Interrupt Source
INT ENABLE	0x10	16	RW	Interrupt enable
INT MODE	0x14	16	RW	Detection mode of interrupt

INT LEVEL	0x18	16	RW	Detection level of interrupt
-----------	------	----	----	------------------------------

2.9.1.1. GPO Data

The GPO data register has GPO output data that is put on the external pins. This value can be read also. Each GPO has nothing to do with same numbered GPI, which means independent operation.

Table 2.76 GPO Data Register Bit Definition

Address : 1820_0000

Bits	Access	Default	Description
31: 9			Reserved
8: 0	RW	0	GPO DATA This 9-bit field is output to the GPO pins and the GPIOs when set to output mode.

2.9.1.2. GPI Data

The GPI data register shows the GPI input data on the GPIO pins.

Table 2.77 GPI Data Register Bit Definition

Address : 1820_0004

Bits	Access	Default	Description
31:12			Reserved
11: 0	RO	0	GPI DATA This 12-bit field shows the status of GPI pins and the status of GPIO pins regardless the direction of GPIOs or the mode of GPI, dedicated mode or GPI mode.

2.9.1.3. GPIO Direction

The GPIO direction register controls the direction of GPIO pins and chooses the function of GPIs and GPOs.

Table 2.78 GPIO Direction Register Bit Definition

Address : 1820_0008

Bits	Access	Default	Description
31:9		0x00	Reserved
8:3	RW	0x00	GPO FUNCTION These pins set the coressponding pins to either dedicated function or GPO. 0 = Use for specific features 1 = Use for GPI or GPO
2:0	RW	0x00	GPIO DIRECTION This 3-bits field controls the direction of GPIO pads. 0 = input mode 1 = output mode

2.9.1.4. INT SRC

The Interrupt source register indicates which input pin is triggered.

Table 2.79 Interrupt Source Register Bit Definition

Address : 1820_000C

Bits	Access	Default	Description
31: 16		0x00	Reserved
15: 0	ROC	0x00	INT SOURCE This 16-bits field indicates which GPI pin(s) generated interrupt(s). Bit 0 through 7 generate external interrupt 0 through 7 respectively. Bit 8 through 15 generate GPIO interrupt.

2.9.1.5. INT ENABLE

The Interrupt enable register chooses the interrupt sources being used.

Table 2.80 The Bit Definition of the Interrupt Enable Register

Address : 1820_0010

Bits	Access	Default	Description
31: 16		0x00	Reserved
15: 0	RW	0x00	INT ENABLE This 16-bits field enables the GPI interrupts. 0 = disable 1 = enable

2.9.1.6. INT MODE

The interrupt mode register chooses the interrupt mode of either level trigger or edge trigger.

Table 2.81 Interrupt Mode Register Bit Definition

Address : 1820_0014

Bits	Access	Default	Description
31: 16		0x00	Reserved
15: 0	RW	0x00	INT MODE This 16-bits field controls the interrupt mode of each GPI pins. 0 = Level trigger 1 = Edge trigger

2.9.1.7. INT LEVEL

The interrupt level register selects active level of interrupt sources when in level triggering mode, active low or active high.

Table 2.82 Interrupt Level Register Bit Definition

Address : 1820_0018

Bits	Access	Default	Description
------	--------	---------	-------------

31:16		0x00	Reserved
15: 0	RW	0x00	<p>INT LEVEL</p> <p>This 16-bits field controls the active level of interrupt request on each GPI pins.</p> <p>0 = Low active for Level / Falling edge for Edge trigger</p> <p>1 = High active for Level / Rising edge for Edge trigger</p>

2.10. SPI

The HMS30C7110® integrates an Serial Peripheral Interface (SPI) module which is used for interfacing the Serial ROM or Serial Interface Devices such as PCM Audio codec.

The SPI of HMS30C7110® generates serial clock (CCLK), serial data out (CDOOUT), serial data in (CDIN) and chip select (nCCS). The clock speed is selectable by programming the internal register. The SPI also supports the 8bit, 16bit and 32bit IO devices. The complete descriptions of these registers are given in the Register Section.

2.10.1. Block Diagram

The SPI of HMS30C7110® consists of several blocks such as register file and serial interface core module.

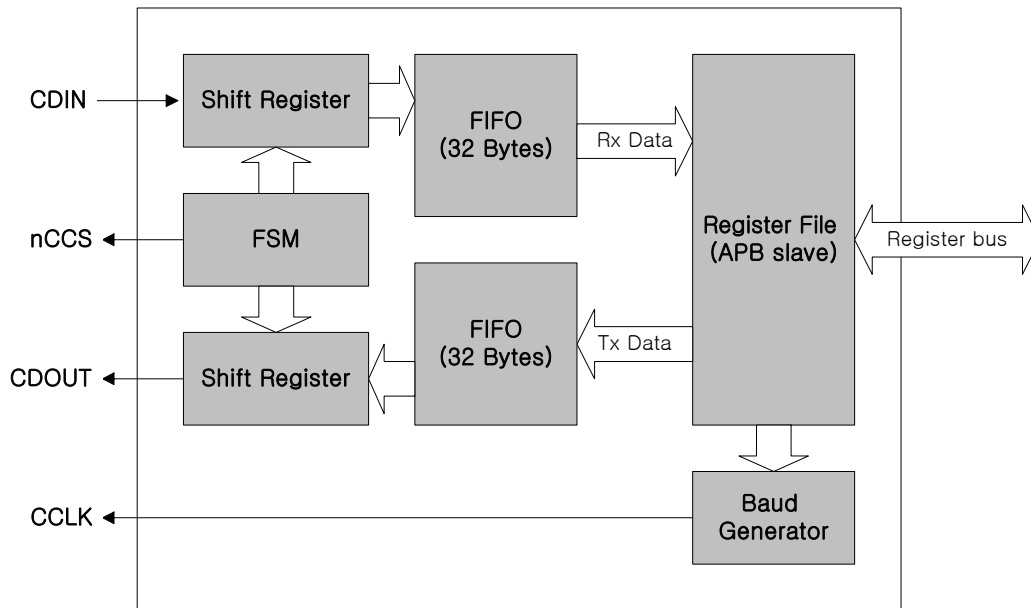


Figure 2.11 Block Diagram of SPI

2.10.2. User Accessible Registers (Base = 0x1840_0000)

This section describes all base, control and status register inside SPI. The address field indicates a relative address in hexadecimal. The base address is 0x18500000. Width specifies the number of bits in the register and access specifies the valid access types that register. Where RW stands for read and write access, RO for read only access. A “C” appended to RW or RO, indicates that some or all of the bits can be cleared after a write ‘1’ in corresponding bit.

Table 2.83 Registers for SPI

Name	Address	Width	Access	Description
SPI Control	0x00	9	RW	SPI baud rate and enable control
SPI Mode0	0x04	8	RW	Recovery timing control & Tx start
Reserved	0x08			Reserved
Reserved	0x0c			Reserved
Reserved	0x10			Reserved
Reserved	0x14			Reserved
TX Data	0x18	8	RW	Transmit Data
RX Data	0x1c	8	RW	Receive Data
INT SRC	0x20	1	ROC	Interrupt source
INT ENABLE	0x24	1	RW	Interrupt enable
STATUS	0x28	1	R	Rx Empty

2.10.2.1. SPI Control (offset = 0x00)

This register includes SPI enable bit and baud rate setting value.

Table 2.84 SPI Control Register Bit Definition

Address : 1840_0000

Bits	Access	Default	Description
31:9		0	Reserved
8	RW	0	Enable 0 = SPI clock disable 1 = SPI clock enable
7:0	RW	0	Baud rate One clock period = (baudrate+1) × CLKIN

2.10.2.2. SPI Mode 0 (offset = 0x04)

These registers include recovery cycle field and data width field.

Table 2.85 Configuration Register Bit Definition

Address : 1840_0004

Bits	Access	Default	Description
31:12		0	Reserved
7:4	RW	0	Recovery time This 4-bit field is used for making recovery time from one access cycle to the next access cycle.
3:1		0	Reserved
0	RW	0	Tx Start This one bit field is used to start transfer of Tx FIFO data.

2.10.2.3. TX Data (offset = 0x18)

This register is writing path to 32 bytes Tx FIFO.

Table 2.86 Tx Data Register Bit Definition

Address : 1840_0018

Bits	Access	Default	Description
31:8		0	Reserved
7:0	RW	0	Tx Data

2.10.2.4. RX Data (offset = 0x20)

This register is reading path of 32 bytes Rx FIFO.

Table 2.87 Rx Data Register Bit Definition

Address : 1840_001C

Bits	Access	Default	Description
31:8		0	Reserved
7:0	RW	0	Rx Data

2.10.2.5. INT SRC

This register includes SPI interrupt source bits.

Table 2.88 Interrupt Source Register Bit Definition

Address : 1840_0020

Bits	Access	Default	Description
31:1		0	Reserved
0	RW	0	TX done

2.10.2.6. INT ENABLE

This register includes SPI interrupt enable bits.

Table 2.89 Interrupt Mask Register Bit Definition

Address : 1840_0024

Bits	Access	Default	Description
31:1		0	Reserved
0	RW	0	TX done enable

2.10.2.7. STATUS

This register includes SPI Rx Status bits.

Table 2.90 SPI Status Register Bit Definition

Address : 1840_0028

Bits	Access	Default	Description
31: 1		0	Reserved
0	R	0	TX empty

2.11. DMA

HMS30C7110® supports two-channel DMA controller that is located between the system bus and the peripheral bus. Each channel of DMA controller can perform data movements between devices in the system bus and/or peripheral bus with no restrictions. In other words, each channel can handle the following four cases: 1) both source and destination are in the system bus, 2) source is in the system bus while destination is in the peripheral bus, 3) sources in the peripheral bus while destination is in the system bus, 4) both source and destination are in the peripheral bus.

The main advantage of DMA is that it can transfer data without any CPU intervention. The operation of DMA can be initiated by S/W, the request from internal peripherals or the external request pins.

2.11.1. User Accessible Registers (Base = 0x1910_0000)

There are seven control registers for each DMA channel (Since there are two channels, the total number of control registers is 14). Four of them are to control the DMA transfer, and other three are to see the status of DMA controller. The details of those registers for a channel are as follows.

2.11.1.1. DMA INITIAL SOURCE REGISTER (DISRC, offset = 0x00, 0x20)

Table 2.91 DMA Initial Source Register

DMA0 Address : 1910_0000

DMA1 Address : 1910_0020

Field Name	Bit	Description
LOC	[31]	Bit 31 is used to select the location of source. 0: the source is in the system bus, 1: the source is in the peripheral bus
INC	[30]	Bit 30 is used to select the address increment. Increment unit is determined by DS of DCON. 0 = Increment 1= Fixed

S_ADDR	[29:0]	These bits are the base address (start address) of source data to transfer
--------	--------	--

2.11.1.2. DMA INITIAL DESTINATION REGISTER (DIDST, offset = 0x04, 0x24)

Table 2.92 DMA Initial Destination Register

DMA0 Address : 1910_0004

DMA1 Address : 1910_0024

Field Name	Bit	Description
LOC	[31]	Bit 31 is used to select the location of destination. 0: the destination is in the system bus, 1: the destination is in the peripheral bus
INC	[30]	Bit 30 is used to select the address increment. 0 = Increment 1= Fixed
S_ADDR	[29:0]	These bits are the base address (start address) of destination to transfer

2.11.1.3. DMA CONTROL REGISTER (DCON, offset = 0x08, 0x28)

Table 2.93 DMA Control Register

DMA0 Address : 1910_0008

DMA1 Address : 1910_0028

Field Name	Bit	Description
DMD_HS	[30]	Select one between demand mode and handshake mode. 0 : demand mode is selected 1 : handshake mode is selected.
SYNC.	[29]	Select DREQ/DACK synchronization 0: DREQ and DACK are synchronized to PCLK. 1: DREQ and DACK are synchronized to HCLK.
INT	[28]	Enable/Disable the interrupt setting for TC (terminal count) 0: TC interrupt is disabled. 1: Interrupt is generated when all the transfer is done.

TS	[27]	Select the transfer size of a transfer 0: a single transfer is performed. 1: a burst transfer of length four is performed.
SERVMODE	[26]	Select the service mode between single service mode and whole service mode 0: single service mode 1: whole service mode
HWSRCSEL	[25:24]	Select DMA request source for each DMA.
SWHW_SEL	[23]	Select the DMA source between software (S/W request mode) and hardware (H/W request mode). 0: S/W request mode 1: H/W request mode
RELOAD	[22]	Set the reload on/off option. 0: auto reload is performed. 1: channel is turned off after TC reaches.
DS	[21:20]	Data size to be transferred. 0: 8-bit (Byte), 1 : 16-bit (Half-Word), 2: 32-bit (Word)
TC	[19:0]	Initial transfer count (or transfer beat). Note that the actual # of bytes that are transfered is obtained bt the following equation: $DSZ * TSZ * TB$, where DSZ, TSZ, and TB represent data size, transfer size, and transfer beats, respectively.

2.11.1.4. DMA STATUS REGISTER (DSTAT, offset = 0x0c, 0x2c)

This register shows the current value of transfer counter(TC) and whether this channel is busy or idle.

Table 2.94 DMA Status Register

DMA0 Address : 1910_000C

DMA1 Address : 1910_002C

Field Name	Bit	Description
------------	-----	-------------

RSVD	[30:22]	Reserved
STATUS	[21:20]	DMA Status. 0: Ready(or Idle), 1: Busy, 2: Error
CTC	[19:0]	Current transfer count (or transfer beat).

2.11.1.5. DMA CURRENT SOURCE REGISTER (DCSRC, offset = 0x10, 0x30)

This register shows the value of current source address of the transfer. So only least 30 bits are valid.

DMA0 Address : 1910_0010

DMA1 Address : 1910_0030

Field Name	Bit	Description
	[29:00]	Current Source Address

2.11.1.6. CURRENT DESTINATION REGISTER (DCDST, offset = 0x14, 0x34)

This register shows the value of current destination address of the transfer.

DMA0 Address : 1910_0014

DMA1 Address : 1910_0034

Field Name	Bit	Description
	[29:00]	Current Destination Address

2.11.1.7. DMA MASK TRIGGER REGISTER (MASKTRIG, offset = 0x18, 0x38)

Table 2.95 DMA Mask Trigger Register

DMA0 Address : 1910_0018

DMA1 Address : 1910_0038

Field Name	Bit	Description
------------	-----	-------------

STOP	[2]	<p>Stop the DMA operation.</p> <p>1: DMA stops as soon as the current atomic transfer ends.</p> <p>Note : If there is no current atomic transfer, DMA stops immediately.</p> <p>Due to possible current atomic transfer, "stop" may take several cycles.</p> <p>The finish of "stop" operation can be detected by waiting until the channel on/off bit is set to off. This stop is actual "stop". It means that if DMA starts again all the values including TC start from initial values.</p>
ON_OFF	[1]	<p>DMA channel on/off bit.</p> <p>0: DMA channel is turned off. (DMA request to this channel is ignored.)</p> <p>1: DMA channel is turned on and the DMA request is handled.</p> <p>Note : This bit is automatically set to off if we set the control register (DCON) to "no auto reload" and/or this register (MASKTRIG) to "stop".</p> <p>Note that when "no auto reload" is set, this bit becomes "off" when TC becomes 0. On the other hand, if "stop" is set, this bit becomes "off" as soon as the current atomic transfer finishes. This bit should not be changed manually during DMA operation.</p>
SW_TRIG	[0]	<p>Trigger the DMA channel in S/W.</p> <p>1: it requests a DMA operation to this controller.</p>

2.12. INTC

The interrupt controller of HMS30C7110® receives the request from 21 interrupt sources. Among 21, 8 come from outside of chip, i.e., external interrupt sources, and remaining 13 come from internal sources such as DMA controller, ENET MAC, and etc.

The role of the interrupt controller is to ask for IRQ and/or NMI to the ARM7TDMI after selecting one among 21 sources based on the arbitration rule. The arbitration is performed by the hardware priority logic and the result is written to the interrupt pending register to let users to know which interrupt has been requested.

Interrupt Mode

INTC supports 2 types of interrupt modes, NMI and IRQ. The mode of each interrupt source can be set by programming interrupt mode register. Among 21 sources, only one, generally very urgent one such as power failure can be set to operate as NMI.

Interrupt Pending Register

There are two interrupt pending registers. One is source pending register (SRCPND) and the other is interrupt pending register (INTPND). These pending registers indicate whether or not an interrupt request is pending. When the interrupt sources request interrupt services the corresponding bits of SRCPND register are set to 1, and at the next clock cycle one bit of INTPND register corresponding to the highest priority one is set to 1 after the arbitration process. If some of interrupts are masked (by programming mask register), the corresponding bits of INTPND register are not set to 1, while the corresponding bits of SRCPND register are set to 1. When a pending bit of INTPND register is set, IRQ is generated and goes to CPU. The SRCPND and INTPND registers can be read and written. The interrupt service routine must clear the pending condition by writing a 1 to the corresponding bit of SRCPND register first and then clear the pending condition in INTPND registers by writing 1.

The NMI shares the SRCPND register with IRQ, but it does not go through the arbitration logic and directly goes to CPU for a fast service. So, in the service routine of NMI, user needs to clear only the SRCPND register.

Interrupt Mask Register

This register is used to mask the requests of some interrupt sources. If a bit of the register is set to 1, it indicates that the corresponding interrupt is disabled. If it is set to 0, the corresponding interrupt will be serviced normally. This mask register actually resides after the SRCPND register and affects the effective value of SRCPND register going to arbitration logic and NMI generation logic. Therefore, even for the masked requests, SRCPND register reflects their arrival as usual.

Interrupt Sources

Interrupt controller supports 21 interrupt sources as shown in the below table.

Table 2.96 Interrupt Source Register

Sources	Bit	Descriptions	Arbiter Group
INT_UART1	29	UART1 interrupt	ARB5
INT_UART0	28	UART0 interrupt	ARB5
INT_SPI	27	SPI interrupt	ARB4
Reserved	26	Reserved	ARB4
CardBus	22	CardBus error interrupt	ARB4
CARD IRQ	21	IRQ from installed Card	ARB3
PCMCIA	20	PCMCIA interrupt including card detection	ARB3
INT_GPIO	19	GPIO interrupt (from GPI8 ~ GPI10)	ARB3
INT_DMA1	18	DMA channel 1 interrupt	ARB3
INT_DMA0	17	DMA channel 0 interrupt	ARB3
INT_ENET1	14	ENET MAC 1 interrupt	ARB2
INT_ENET0	11	ENET MAC 0 interrupt	ARB2
INT_TIMER	10	TIMER interrupt	ARB2
INT_EXT7	7	External interrupt 7 (from GPI7)	ARB1
INT_EXT6	6	External interrupt 6 (from GPI6)	ARB1
INT_EXT5	5	External interrupt 5 (from GPI5)	ARB1
INT_EXT4	4	External interrupt 4 (from GPI4)	ARB1
INT_EXT3	3	External interrupt 3 (from GPI3)	ARB0
INT_EXT2	2	External interrupt 2 (from GPIO2)	ARB0
INT_EXT1	1	External interrupt 1 (from GPIO1)	ARB0

INT_EXT0	0	External interrupt 0 (from GPIO0)	ARB0
----------	---	-----------------------------------	------

Arbitration block

The priority logic for 32 interrupt requests is composed of seven rotation based arbiters: six first-level arbiters and one second-level arbiter as shown in the following figure.

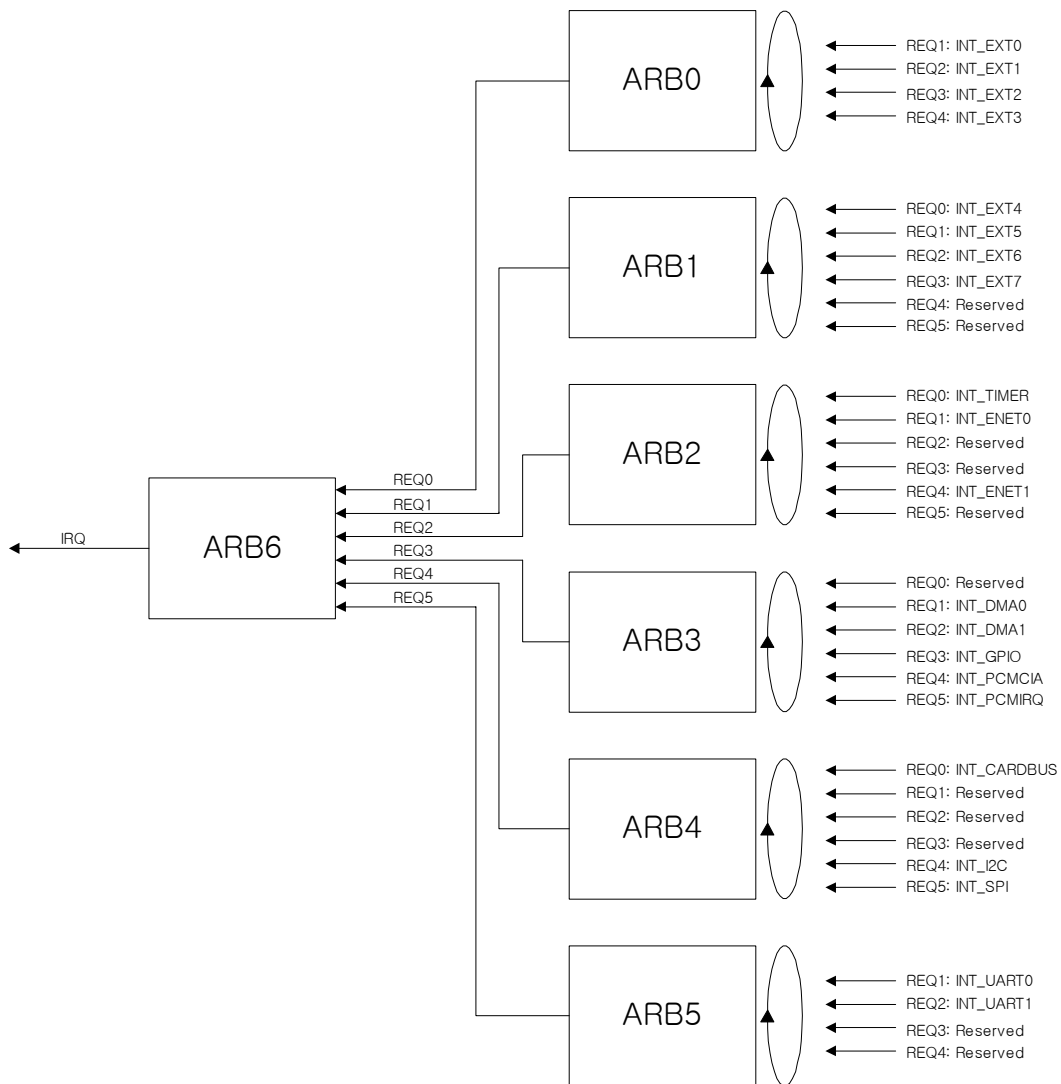


Figure 2.12 Arbitration Block Diagram

Each arbiter can handle six interrupt requests based on the one bit arbiter mode control

(ARB_MODE) and two bits of selection control signals (ARB_SEL) as follows:

- If ARB_SEL bits are 00b, the priority order is REQ0, REQ1, REQ2, REQ3, REQ4, and REQ5.
- If ARB_SEL bits are 01b, the priority order is REQ0, REQ2, REQ3, REQ4, REQ1, and REQ5.
- If ARB_SEL bits are 10b, the priority order is REQ0, REQ3, REQ4, REQ1, REQ2, and REQ5.
- If ARB_SEL bits are 11b, the priority order is REQ0, REQ4, REQ1, REQ2, REQ3, and REQ5.

Note that REQ0 of an arbiter is always the highest priority, and REQ5 is the lowest one. In addition, by changing the ARB_SEL bits, we can rotate the priority of REQ1 - REQ4.

Here, if ARB_MODE bit is set to 0, ARB_SEL bits are not automatically changed, thus the arbiter operates in the fixed priority mode. (Note that even in this mode, we can change the priority by manually changing the ARB_SEL bits.). On the other hand, if ARB_MODE bit is 1, ARB_SEL bits are changed in rotation fashion, e.g., if REQ1 is serviced, ARB_SEL bits are changed to 01b automatically so as to make REQ1 the lowest priority one. The detailed rule of ARB_SEL change is as follows.

- If REQ0 or REQ5 is serviced, ARB_SEL bits are not changed at all.
- If REQ1 is serviced, ARB_SEL bits are changed to 01b.
- If REQ2 is serviced, ARB_SEL bits are changed to 10b.
- If REQ3 is serviced, ARB_SEL bits are changed to 11b.
- If REQ4 is serviced, ARB_SEL bits are changed to 00b.

2.12.1. User Accessible Registers (Base = 0x1930_0000)

There are five control registers in the interrupt controller: source pending register, interrupt mode register, mask register, priority register, and interrupt pending register.

All the interrupt requests from the interrupt sources are first registered in the source pending register. They are divided into two groups based on the interrupt mode register, i.e., one NMI request and the remaining IRQ requests. Arbitration process is performed for the multiple IRQ requests based on the priority register.

2.12.1.1. SOURCE PENDING REGISTER (SRCPND, offset = 0x00)

SRCPND register is composed of 32 bits each of which is related to an interrupt source. Each bit is

set to 1 if the corresponding interrupt source generates the interrupt request and waits for the interrupt to be serviced. By reading this register, we can see the interrupt sources waiting for their requests to be serviced. Note that each bit of SRCPND register is automatically set by the interrupt sources regardless of the masking bits in the INTMASK register. In addition, it is not affected by the priority logic of interrupt controller.

In the interrupt service routine for a specific interrupt source, the corresponding bit of SRCPND register has to be cleared to get the interrupt request from the same source correctly. If you return from the ISR (interrupt service routine) without clearing the bit, interrupt controller operates as if another interrupt request comes in from the same source. In other words, if a specific bit of SRCPND register is set to 1, it is always considered as a valid interrupt request waiting to be serviced.

The specific time to clear the corresponding bit depends on the user's requirement. The bottom line is that if you want to receive another valid request from the same source you should clear the corresponding bit first, and then enable the interrupt.

You can clear a specific bit of SRCPND register by writing a data to this register. It clears only the bit positions of SRCPND corresponding to those set to one in the data. The bit positions corresponding to those that are set to 0 in the data remains as they are with no change.

Table 2.97 Source Pending Register

Address : 1930_0000

Register	Address	R/W	Description	value
SRCPND	0x00	R/W	0 = The interrupt has not been requested 1 = The interrupt source has asserted the interrupt request	0x00000000

Bit	Field	Bit	Field	Bit	Field	Bit	Field
31	Reserved	23	Reserved	15	Reserved	7	INT_EXT7
30	Reserved	22	INT_CARDBUS	14	INT_ENET1	6	INT_EXT6
29	INT_UART1	21	INT_PCMIRQ	13	Reserved	5	INT_EXT5
28	INT_UART0	20	INT_PCMCIA	12	Reserved	4	INT_EXT4
27	INT_SPI	19	INT_GPIO	11	INT_ENET0	3	INT_EXT3
26	Reserved	18	INT_DMA1	10	INT_TIMER	2	INT_EXT2
25	Reserved	17	INT_DMA0	9	Reserved	1	INT_EXT1

24	Reserved	16	Reserved	8	Reserved	0	INT_EXT0
----	----------	----	----------	---	----------	---	----------

2.12.1.2. MODE REGISTER (INTMOD, offset = 0x04)

This register is composed of 32 bits each of which is related to an interrupt source. If a specific bit is set to 1, the corresponding interrupt is processed as the NMI request. Otherwise, it is processed as a normal IRQ.

Note that at most only one interrupt source can be serviced in the NMI mode. (You should use the NMI mode only for the urgent interrupt.) Thus, only one bit of INTMOD can be set to 1 at most.

This register is write-only one, thus it cannot be read out.

Table 2.98 Interrupt Mode Register

Address : 1930_0004

Register	Address	R/W	Description	Reset value
INTMOD	0x04	W	0 = IRQ mode, 1 = NMI mode	0x00000000

Each field and the corresponding bit position are the same as those of SRCPND register.

2.12.1.3. INTERRUPT MASK REGISTER (INTMSK, offset = 0x08)

Each of the 32 bits in the interrupt mask register is related to an interrupt source. If you set a specific bit to 1, the interrupt request from corresponding interrupt source is not serviced by CPU. (Note that even in such a case, the corresponding bit of SRCPND register is set to 1). If the mask bit is 0, the interrupt request can be serviced.

Table 2.99 Interrupt Mask Register

Address : 1930_0008

Register	Address	R/W	Description	Reset value
INTMSK	0x08	R/W	0 = Interrupt service is available	0xffffffff

			1 = Interrupt service is masked	
--	--	--	---------------------------------	--

Each field and the corresponding bit position are same to those of SRCPND register.

2.12.1.4. PRIORITY REGISTER (PRIORITY, offset = 0x0c)

Table 2.100 Priority Register

Address : 1930_000C

Register	Address	R/W	Description	Reset value
PRIORITY	0x0c	W	IRQ priority control register	0x07f

Field	Bit	Description	Reset value
ARB_SEL6	20:19	Arbiter 6 priority 00 = REQ 0-1-2-3-4-5 01 = REQ 0-2-3-4-1-5 10 = REQ 0-3-4-1-2-5 11 = REQ 0-4-1-2-3-5	00
ARB_SEL5	18:17	Arbiter 5 priority 00 = REQ 1-2-3-4 01 = REQ 2-3-4-1 10 = REQ 3-4-1-2 11 = REQ 4-1-2-3	00
ARB_SEL4	16:15	Arbiter 4 priority 00 = REQ 0-1-2-3-4-5 01 = REQ 0-2-3-4-1-5 10 = REQ 0-3-4-1-2-5 11 = REQ 0-4-1-2-3-5	00
ARB_SEL3	14:13	Arbiter 3 priority 00 = REQ 0-1-2-3-4-5 01 = REQ 0-2-3-4-1-5 10 = REQ 0-3-4-1-2-5 11 = REQ 0-4-1-2-3-5	00
ARB_SEL2	12:11	Arbiter 2 priority 00 = REQ 0-1-2-3-4-5 01 = REQ 0-2-3-4-1-5 10 = REQ 0-3-4-1-2-5 11 = REQ 0-4-1-2-3-5	00
ARB_SEL1	10:9	Arbiter 1 priority 00 = REQ 0-1-2-3-4-5 01 = REQ 0-2-3-4-1-5 10 = REQ 0-3-4-1-2-5 11 = REQ 0-4-1-2-3-5	00
ARB_SEL0	8:7	Arbiter 0 priority	00

		00 = REQ 1-2-3-4 01 = REQ 2-3-4-1 10 = REQ 3-4-1-2 11 = REQ 4-1-2-3	
ARB_MODE6	6	Arbiter 6 rotate enable 0 = Priority does not rotate, 1 = Priority rotate enable	1
ARB_MODE5	5	Arbiter 5 rotate enable 0 = Priority does not rotate, 1 = Priority rotate enable	1
ARB_MODE4	4	Arbiter 4 rotate enable 0 = Priority does not rotate, 1 = Priority rotate enable	1
ARB_MODE3	3	Arbiter 3 rotate enable 0 = Priority does not rotate, 1 = Priority rotate enable	1
ARB_MODE2	2	Arbiter 2 rotate enable 0 = Priority does not rotate, 1 = Priority rotate enable	1
ARB_MODE1	1	Arbiter 1 rotate enable 0 = Priority does not rotate, 1 = Priority rotate enable	1
ARB_MODE0	0	Arbiter 0 rotate enable 0 = Priority does not rotate, 1 = Priority rotate enable	1

2.12.1.5. INTERRUPT PENDING REGISTER (INTPND, offset = 0x10)

Each of the 32 bits in the interrupt pending register shows whether the corresponding interrupt request is the highest priority one that is unmasked and waits for the interrupt to be serviced. Since INTPND is located after the priority logic, only one bit can be set to 1 at most, and that is the very interrupt request generating IRQ to CPU. In interrupt service routine for IRQ, you can read this register to determine the interrupt source to be serviced among 23 sources.

Like the SRCPND, this register has to be cleared in the interrupt service routine. We can clear a specific bit of INTPND register by writing a data to this register. It clears only the bit positions of INTPND corresponding to those set to one in the data. The bit positions corresponding to those that are set to 0 in the data remains as they are with no change.

Table 2.101 Interrupt Pending Register

Address : 1930_0010

Register	Address	R/W	Description	Reset value
INTPND	0x10	R/W	0 = The interrupt has not been requested 1 = The interrupt source has asserted a request	0x00000000

Each field and the corresponding bit position are the same as those of SRCPND register.

2.12.1.6. INTERRUPT OFFSET REGISTER (INTOFS, offset = 0x14)

If INTPND[n] is set to 1 (due to interrupt requests from sources), number “n” is shown in this register. This is for the ease of an interrupt target address computation, i.e., target address = INTOFS << 2.

Note that the valid value of this register is 0 – 31 when an interrupt occurs. If it is 32, it means that there happens no interrupts, i.e., INTPND = 0.

Table 2.102 Interrupt Offset Register

Address : 1930_0014

Register	Address	R/W	Description	Reset value
INTOFS	0x14	R	“n” in 0 – 31 if INTPND[n] is set to 1. 32 if there happens no interrupt.	0x00000020

2.13. PCMCIA Controller

The HMS30C7110® integrates a PCMCIA controller which supports 16-bits PC card and 32-bits PC card (Cardbus) functionalities.

The PCMCIA Controller supports 1 socket 16-bits PC Card or 1 socket CardBus card.

2.13.1. User Accessible Registers (Base = 0x1940_0000)

This section describes all base, control and status register inside the PCMCIA. The address field indicates a relative address in hexadecimal. The base address for 16-bits PC Card is 0x19400000 and the base address for CARDBUS is 0x19480000. Width specifies the number of bits in the register and access specifies the valid access types that register. Where RW stands for read and write access, RO for read only access. A “C” appended to RW or RO, indicates that some or all of the bits can be cleared after a write ‘1’ in corresponding bit.

Table 2.103 Registers for PCMCIA

Name	Address	Width	Access	Description
IDR	0x00	32	RO	Identification Register
ISR	0x04	32	RO	Interface Status Register
ICR	0x08	32	RW	Interface Control Register
GCR	0x0c	32	RW	General Control Register
CSCR	0x10	32	ROC	Card Status Change Register
IER	0x14	32	RW	Interrupt Enable Register
Setup0	0x18	32	RW	Setup Timing 0 Register for IO
Command0	0x1c	32	RW	Command Timing 0 Register for IO
Recovery0	0x20	32	RW	Recovery Timing 0 Register for IO
Setup1	0x24	32	RW	Setup Timing 1 Register for common memory
Command1	0x28	32	RW	Command Timing 1 Register for common memory

Recovery1	0x2c	32	RW	Recovery Timing 1 Register for common memory
Setup2	0x30	32	RW	Setup Timing 2 Register for attribute memory
Command2	0x34	32	RW	Command Timing 2 Register for attribute memory
Recovery2	0x38	32	RW	Recovery Timing 2 Register for attribute memory
Start0	0x40	32	RW	I/O Start Address 0
End0	0x44	32	RW	I/O End Address 0
Start1	0x48	32	RW	I/O Start Address 1
End1	0x4c	32	RW	I/O End Address 1
GPO_enable0	0x50	32	RW	Direction control for GPIO-0
GPO_enable1	0x54	32	RW	Direction control for GPIO-1
GPO_0	0x58	32	RW	Output value for GPIO-0
GPO_1	0x5c	32	RW	Output value for GPIO-1
GPI_0	0x60	32	RW	Input value of GPI-0
GPI_1	0x64	32	RW	Input value of GPI-1

Table 2.104 Registers for CardBus

Name	Address	Width	Access	Description
Command	0x00	32	RW	CardBus Bridge Command Register
Status	0x04	32	RO	CardBus Bridge Status Register
Retry time	0x08	32	RW	Retry Time Control Register
Clk select	0x0c	32	RW	Clock Speed Selection Register

2.13.1.1. Identification Register (IDR)

Table 2.105 IDR Bit Definition

Address : 1940_0000

Bits	Access	Default	Description
------	--------	---------	-------------

31:8		0x00	Reserved.
7: 0	RO	0x00	ID number This 8bit field "0x82".

2.13.1.2. Interface Status Register (ISR)

Table 2.106 ISR Bit Definition

Address : 1940_0004

Bits	Access	Default	Description
31:8		0x00	Reserved.
7	RO	0	VS2 This bit reflects the state of the VS2 pin of the PCMCIA.
6	RO	0	VS1 This bit reflects the state of the VS1 pin of the PCMCIA.
5	RO	0	Ready/Busy Signal Status This bit reflects the state of the READY pin of the PCMCIA.
4	RO	0	Memory Write Protect Signal Status This bit reflects the state of the WP pin of the PCMCIA.
3	RO	0	Card Detect 2 Signal Status This bit reflects the state of the CD2 pin of the PCMCIA.
2	RO	0	Card Detect 1 Signal Status This bit reflects the state of the CD1 pin of the PCMCIA.
1		0	Reserved
0	RO	0	Status Change Signal Status This bit reflects the state of the STSCHG pin of the PCMCIA.

2.13.1.3. Interface Control Register (ICR)

Table 2.107 ICR Bit Definition

Address : 1940_0008

Bits	Access	Default	Description
31:4		0x00	Reserved.
7	RW	0	VS2 Signal Output 0 = drive logic 0 value to VS2 pin 1 = input mode or pull-up to VS2 pin
6	RW	0	VS1 Signal Output 0 = drive logic 0 value to VS1 pin 1 = input mode or pull-up to VS1 pin
5:0		0x0	Reserved

2.13.1.4. General Control Register (GCR)

Table 2.108 GCR Bit Definition

Address : 1940_000C

Bits	Access	Default	Description
31:6		0x00	Reserved
6:5	RW	0x0	PCMCIA is I/O 0 = Socket configured for the memory-only interface 1 = Socket configured for I/O and memory interface 2 = Socket configured for DMA interface 3 = Reserved
4:2		0x0	Reserved
1	RW	0x0	SPI and UART1 Mode When set to logic 1, this bit converts the CD2~1 pins and VS2~1 pins to the SPI functional pins and CTRDY, CFRAME, CAD19 and CSERR to CTS, RTS, TXD and RXD respectively for UART1 flow control .
0	RW	0x0	CardBus Mode 0 = 16-bit PC Card Mode 1 = CardBus Mode

2.13.1.5. Card Status Change Register (CSCR)

Table 2.109 CSCR Bit Definition

Address : 1940_0010

Bits	Access	Default	Description
31:4		0x00	Reserved
3	ROC	0x	Card Detect Change Detected This bit will be set when a transition (low to high or high to low) has occurred on the CD2~1 pins. This bit is reset to 0 when this register is read.
2	ROC	0x0	Ready Change Detected This bit will be set when a transition (low to high or high to low) has occurred on the READY pin. This bit is reset to 0 when this register is read. This bit has meaning only when the socket is configured for the memory-only interface. In the I/O and memory interface it reads back as 0.
1		0x0	Reserved
0	ROC	0x0	Status Change Detected This bit will be set when a transition (low to high or high to low) has occurred on the STSCHG pin. This bit is reset to 0 when this register is read.

2.13.1.6. Interrupt Enable Register (IER)

Table 2.110 IER Bit Definition

Address : 1940_0014

Bits	Access	Default	Description
------	--------	---------	-------------

31:4		0x00	Reserved
3	RW	0x	Interrupt Enable for Card Detect Change Detected
2	RW	0x0	Interrupt Enable for Ready Change Detected
1		0x0	Reserved
0	RW	0x0	Interrupt Enable for Status Change Detected

2.13.1.7. Setup Timing Registers (Setup0, Setup1, Setup2)

Table 2.111 Setup Bit Definition

Address : 1940_0018

Bits	Access	Default	Description
31:8		0x00	Reserved
7:6	RW	0x0	Setup Timing Prescaler Select For this timing set, this field selects prescaler value to prescale the setup value to determine the number of clocks of setup time from valid address before the PCMCIA command goes active. 00 = 1 01 = 16 10 = 256 11 = 4096
5:0	RW	0x00	Setup Timing Multiplier Value For this timing set, this field selects setup value from 0 to 63 to be multiplied with prescaler value to determine the number of clocks of setup time from valid address before the PC card command goes active.

2.13.1.8. Command Timing Registers (Command0, Command1, Command2)

Table 2.112 Command Bit Definition

Address : 1940_001C

Address : 1940_0028

Address : 1940_0034

Bits	Access	Default	Description
31:8		0x00	Reserved
7:6	RW	0x0	Command Timing Prescaler Select For this timing set, this field selects prescaler value to prescale the command value to determine the number of clocks of command active time. 00 = 1 01 = 16 10 = 256 11 = 4096
5:0	RW	0x00	Command Timing Multiplier Value For this timing set, this field selects command value from 0 to 63 to be multiplied with prescaler value to determine the number of clocks of command active time.

2.13.1.9. Recovery Timing Registers (Recovery0, Recovery 1, Recovery 2)

Table 2.113 Recovery Bit Definition

Address : 1940_0020

Address : 1940_002C

Address : 1940_0038

Bits	Access	Default	Description
31:8		0x00	Reserved
7:6	RW	0x0	Recovery Timing Prescaler Select For this timing set, this field selects prescaler value to prescale the command value to determine the number of clocks of recovery time. 00 = 1 01 = 16

			10 = 256 11 = 4096
5:0	RW	0x00	Recovery Timing Multiplier Value For this timing set, this field selects command value from 0 to 63 to be multiplied with prescaler value to determine the number of clocks of recovery time.

2.13.1.10. Start Address for I/O (Start0, Start1)

Table 2.114 Start Address Bit Definition

Address : 1940_0040

Address : 1940_0048

Bits	Access	Default	Description
31:30		0x00	Bank width 00 = 8-bit 01 = 16-bit 10 = Auto detect using IOIS16n 11 = Reserved
29:26		0x0	Reserved
25:0	RW	0x00	Start Address This 26-bit field is used for decoding start address for IO bank.

2.13.1.11. End Address for I/O (End0, End1)

Table 2.115 End Address Bit Definition

Address : 1940_0044

Address : 1940_004C

Bits	Access	Default	Description
31:26		0x0	Reserved

25:0	RW	0x00	End Address This 26-bit field is used for decoding end address for IO bank.
------	----	------	--

2.13.1.12. GPIO Direction Control (GPO_enable0, GPO_enable1)

Table 2.116 GPIO direction registers Bit Definition

Address : 1940_0050

Address : 1940_0054

Bits	Access	Default	Description
31:0		0x0	GPO direction 0 = input: All PCMCIA pins are used for PCMCIA feature 1 = output: All PCMCIA pins are used for GPIO feature

2.13.1.13. Output value for GPIO (GPO_0, GPO_1)

Table 2.117 GPO registers Bit Definition

Address : 1940_0058

Address : 1940_005C

Bits	Access	Default	Description
31:0		0x0	GPO values

2.13.1.14. Input value of GPIO (GPI_0, GPI_1)

Table 2.118 GPI registers Bit Definition

Address : 1940_0060

Address : 1940_0064

Bits	Access	Default	Description
------	--------	---------	-------------

31:0		0x0	GPI values
------	--	-----	------------

Table 2.119 GPIO muxing table

Pin Name	GPIO	Pin Name	GPIO	Pin Name	GPIO
CAD0	GPIO-00	CAD21	GPIO-20	CAD16	GPIO-40
CAD1	GPIO-01	CAD22	GPIO-21	RADDR18	GPIO-41
CAD3	GPIO-02	CAD23	GPIO-22	nCBLOCK	GPIO-42
CAD5	GPIO-03	CAD24	GPIO-23	nCSTOP	GPIO-43
CAD7	GPIO-04	CAD25	GPIO-24	nDEVSEL	GPIO-44
nCBE0	GPIO-05	CAD26	GPIO-25	nTRDY	GPIO-45
CAD9	GPIO-06	CAD27	GPIO-26	nFRAME	GPIO-46
CAD11	GPIO-07	CAD29	GPIO-27	CAD17	GPIO-47
CAD12	GPIO-08	RADDR2	GPIO-28	CAD19	GPIO-48
CAD14	GPIO-09	nCCLKRUN	GPIO-29	VS2	GPIO-49
nCBE1	GPIO-10	CD1	GPIO-30	nCSERR	GPIO-50
CPAR	GPIO-11	CAD2	GPIO-31	nCREQ	GPIO-51
nCPERR	GPIO-12	CAD4	GPIO-32	nCBE3	GPIO-52
nCGNT	GPIO-13	CAD6	GPIO-33	nSTSCHG	GPIO-53
CINT	GPIO-14	RADDR14	GPIO-34	CAD28	GPIO-54
CCLK	GPIO-15	CAD8	GPIO-35	CAD30	GPIO-55
nIRDY	GPIO-16	CAD10	GPIO-36	CAD31	GPIO-56
nCBE2	GPIO-17	VS1	GPIO-37	CD2	GPIO-57
CAD18	GPIO-18	CAD13	GPIO-38		
CAD20	GPIO-19	CAD15	GPIO-39		

2.13.1.15. Command for CardBus

Table 2.120 Command Bit Definition

Address : 1948_0000

Bits	Access	Default	Description
31:9		0x0	Reserved
9	RO	0x0	Fast back to back enable This 1 bit field is fixed to “0” because the bridge doesn’t support fast back to back transaction.
8	RW	0x0	CSERR enable This 1 bit field is used for enabling nCSERR pin interrupt.
7	RW	0x0	Wait cycle control (No connection to actual block) This 1 bit field is fixed to “0” because the bridge doesn’t support this function.
6	RW	0x1	Parity error response This 1 bit field is used for enabling nCPERR pin interrupt.
5	RO	0x0	VGA pallet snoop enable This 1 bit field is fixed to logic 0 because the bridge doesn’t support this functionality.
4	RO	0x0	Memory write invalidate enable This 1 bit field is used for enabling MWI and MRL command.
3	RO	0x0	Special cycle monitoring enable This 1 bit field is fixed to logic 0 because the bridge doesn’t support this functionality.
2	RO	0x1	Bus mastering enable This 1 bit field is fixed to logic 1 because the bridge always supports the master functionality.
1	RO	0x1	Memory access enable This 1 bit field is fixed to logic 1 because the bridge always supports the memory area accessing.

0	RO	0x1	IO access enable This 1 bit field is fixed to logic 1 because the bridge always supports the I/O area accessing.
---	----	-----	---

2.13.1.16. Status for CardBus

This register will be cleared when it is read.

Table 2.121 Status Bit Definition

Address : 1948_0004

Bits	Access	Default	Description
31:16		0x0	Reserved
15	RO	0x0	Detected parity error This 1 bit field is set when nCPERR pin is asserted.
14	RO	0x0	Received system error This 1 bit field is set when nCSERR pin is asserted.
13	RO	0x0	Received master abort This 1 bit field is set when the bridge get the master abort signaling from the PC card.
12	RO	0x0	Received target abort This 1 bit field is set when the bridge get the target abort signaling from the PC card.
11	RO	0x0	Signaled target abort This 1 bit field is set when the bridge make a target abort signaling.
10	RO	0x1	DEVSEL timing This 1 bit field is fixed to 0x1 and that means the bridge operates as a medium slave.
9	RO	0x0	Data parity detected This bit will be set when Bridge detected parity error condition in data phase
8	RO	0x0	Fast back to back capable The CardBus bridge doesn't support fast back to back transactions.

7:0		0x00	Reserved
-----	--	------	----------

2.13.1.17. Retry time (Retry)

Table 2.122 Retry time register Bit Definition

Address : 1948_0008

Bits	Access	Default	Description
31:9		0x0	Reserved
8:4	RW	0x0	Access time This 5-bit field is used for checking the latency of data. If slave failed to make valid data by the access time, then it enter to the target abort state. If this value is zero, then there is no checking for the latency of data.
3:0	RW	0x0	Retry time This 4-bit field is used for limiting the number of retry. If this value is zero, then there is no limit for the retry.
7:0		0x00	Reserved

2.13.1.18. Clk select (Csel)

Table 2.123 Clk select register Bit Definition

Address : 1948_000C

Bits	Access	Default	Description
31:1		0x0	Reserved
0	RW	0x0	Divid by 4 This 1-bit field controls the CardBus clock speed. 0 = System clock/2 1 = System clock/4

3. Electrical Characteristics

3.1. Absolute Maximum Ratings

Table 3.1 Absolute maximum ratings

Parameter	Symbol	Rating	Units
Supply Voltage (Core)	V_{DDI}	TBD	V
Supply Voltage (I/O)	V_{DDP}	TBD	V
DC Input Current	I_{IN}	TBD	MA
Operating Temperature	$T_{OPERATING}$	0 to 70	°C
Storage Temperature	$T_{STORAGE}$		°C

3.2. Recommended Operating Conditions

Table 3.2 Recommended operating conditions

Parameter	Symbol	Rating	Units
Supply Voltage (Core)	V_{DDI}	2.5	V
Supply Voltage (I/O)	V_{DDP}	3.3	V
Oscillator Frequency	f_{OSC}	TBD	MHz

3.3. DC Characteristics

TBD

Table 3.3 DC Characteristics

Parameter	Symbol	Condition	Min.	Typ.	Max.	Unit
High Level Input Voltage	V_{IH}					V
Low Level Input Voltage	V_{IL}					V
High Level Input Current	I_{IH}					μA
Low Level Input Current	I_{IL}					μA
High Level Output Voltage	V_{OH}					V
Low Level Output Voltage	V_{OL}					V
Tri-state output leakage current						
Maximum operating current						

3.4. AC Characteristics

3.4.1. Clocks

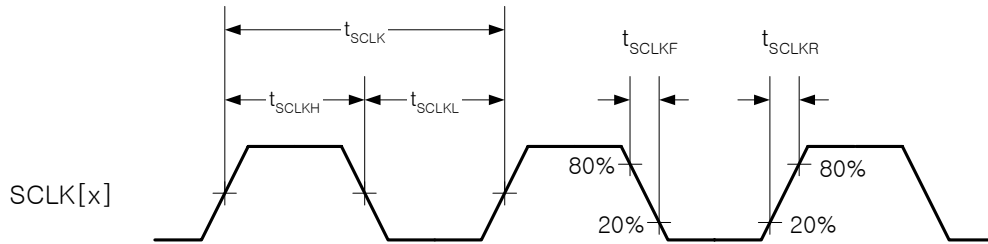


Figure 3.1 SDRAM Clock Timing

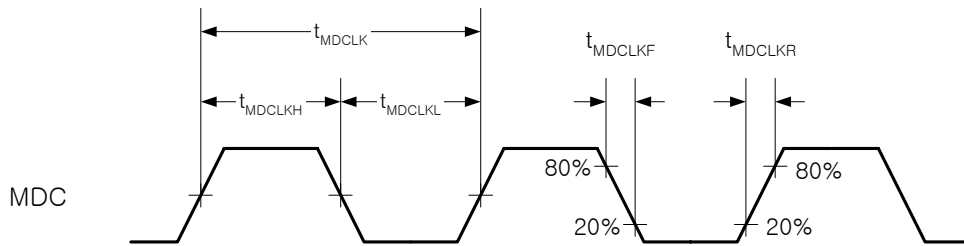


Figure 3.2 MDC Timing (Ethernet)

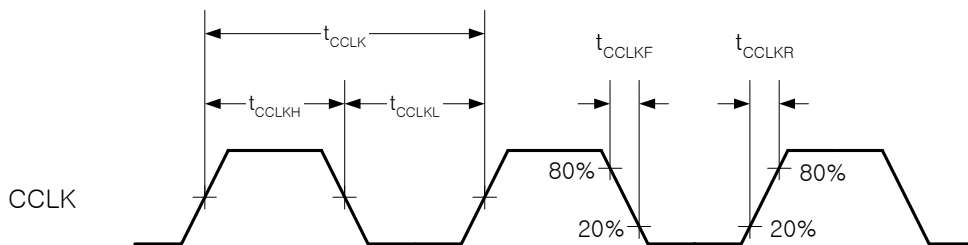


Figure 3.3 SPI Clock Timing

3.4.2. SDRAM Timing

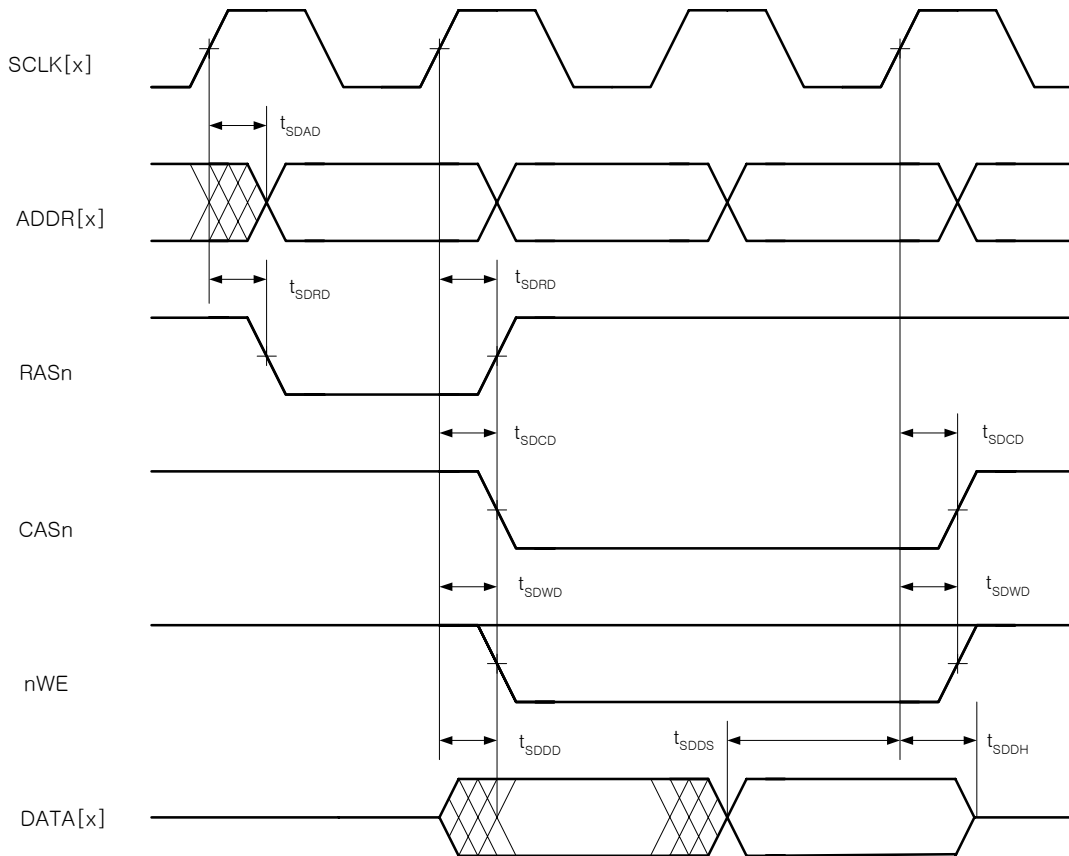


Figure 3.4 SDRAM Timing Diagram

3.4.3. Ethernet Timing (MII/100Mbps)

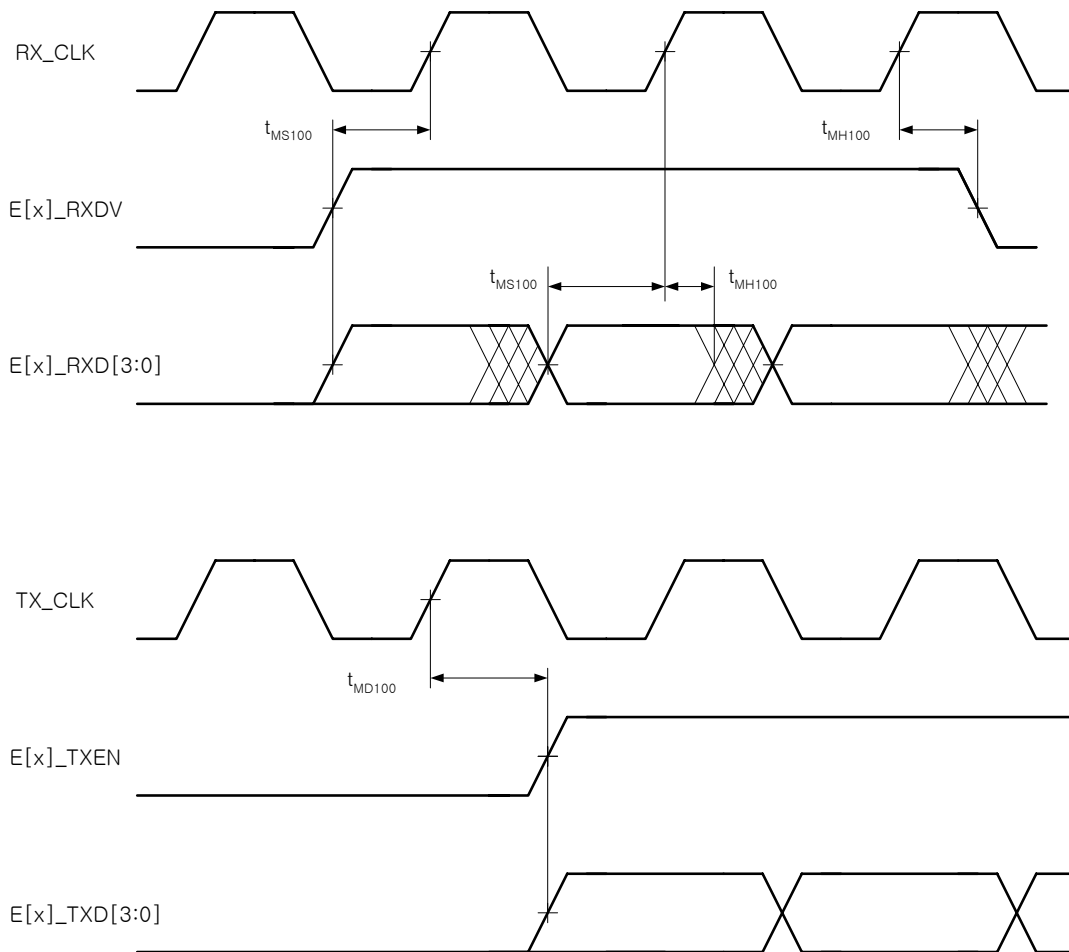


Figure 3.5 Ethernet MII Timing Diagram (100Mbps)

3.4.4. Ethernet Timing (MII/10Mbps)

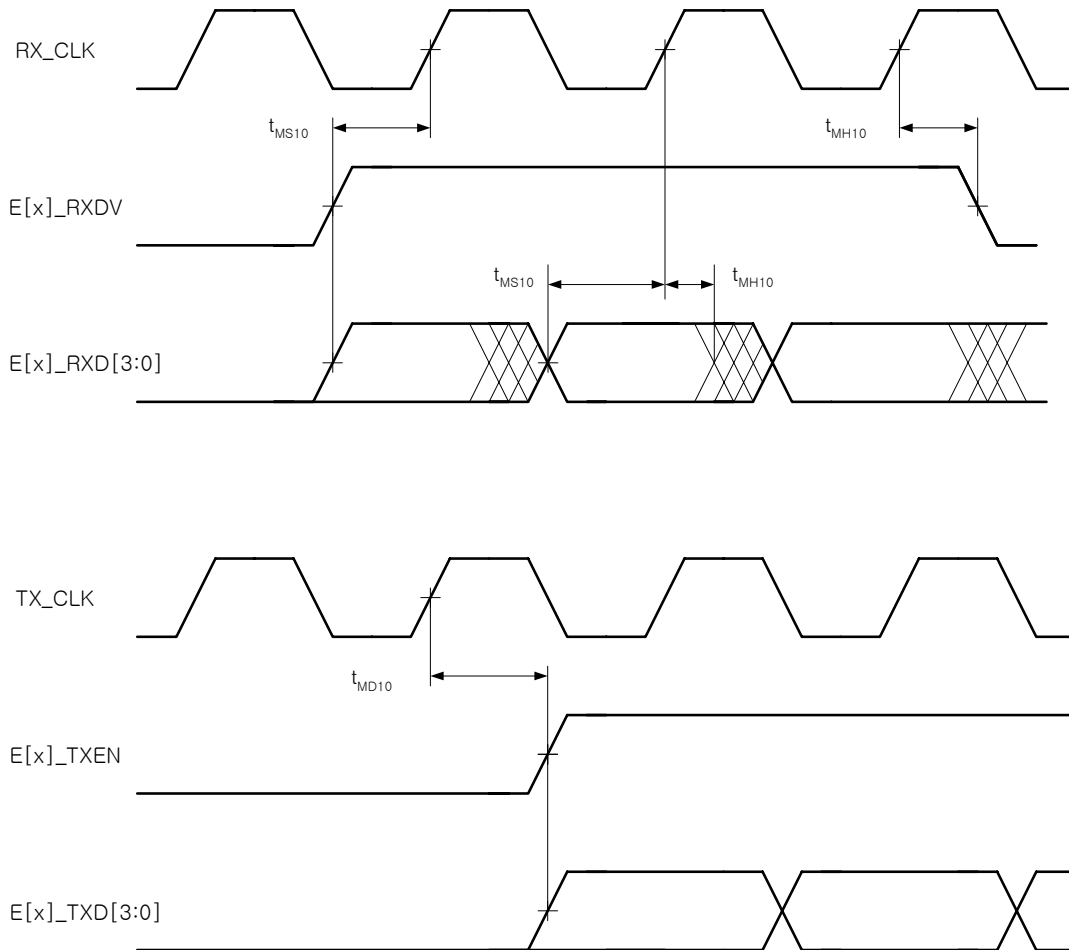


Figure 3.6 Ethernet MII Timing Diagram (10Mbps)

3.4.5. Ethernet Timing (RMII)

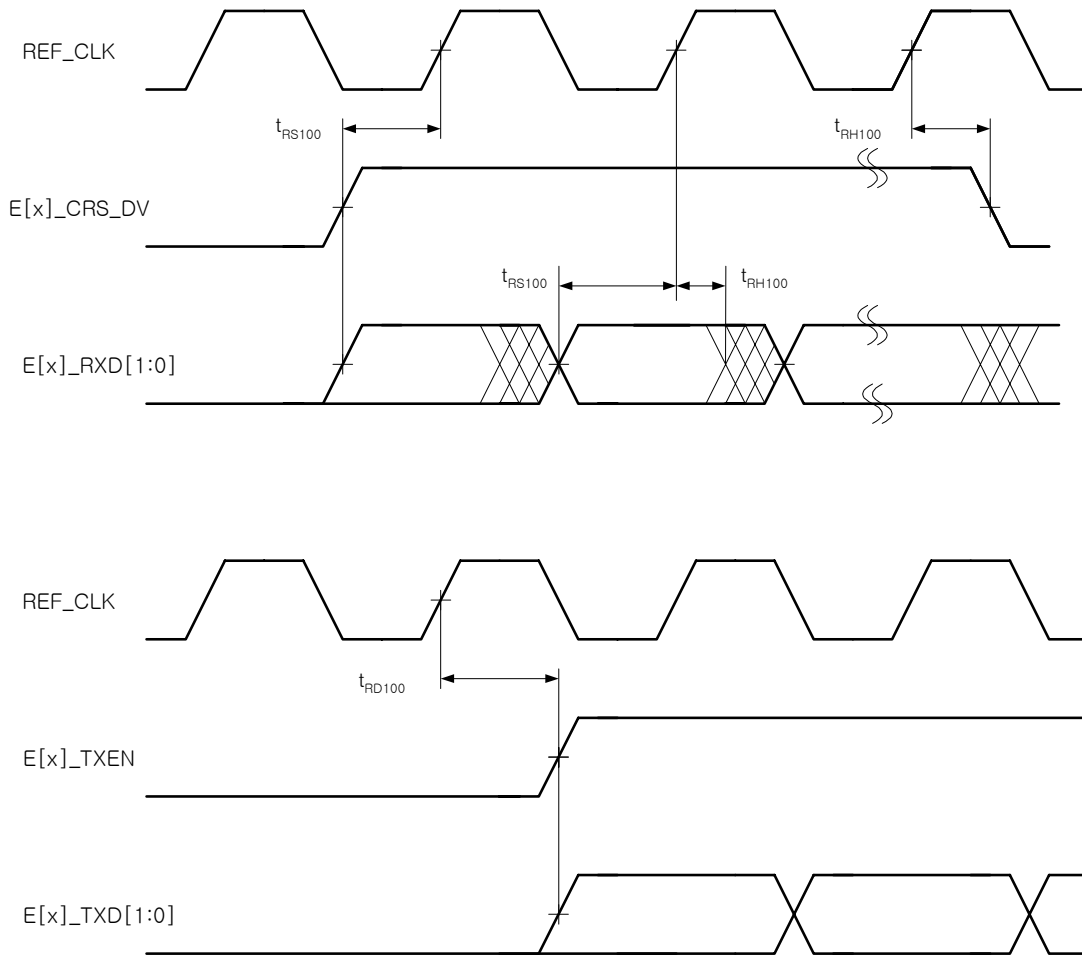


Figure 3.7 Ethernet RMII Timing Diagram

3.4.6. SPI Timing

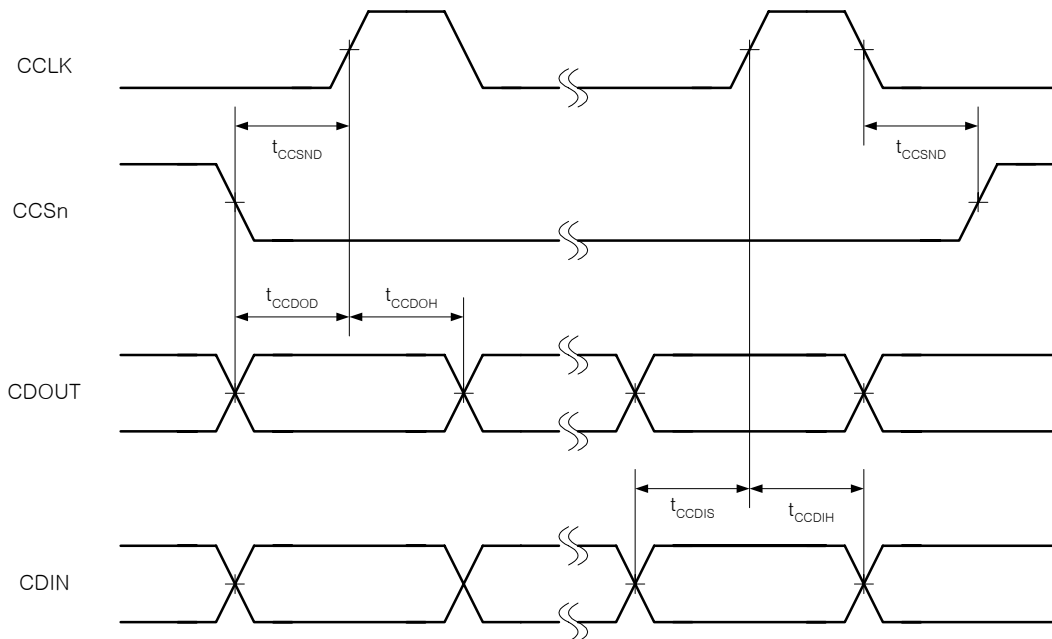


Figure 3.8 SPI Timing Diagram

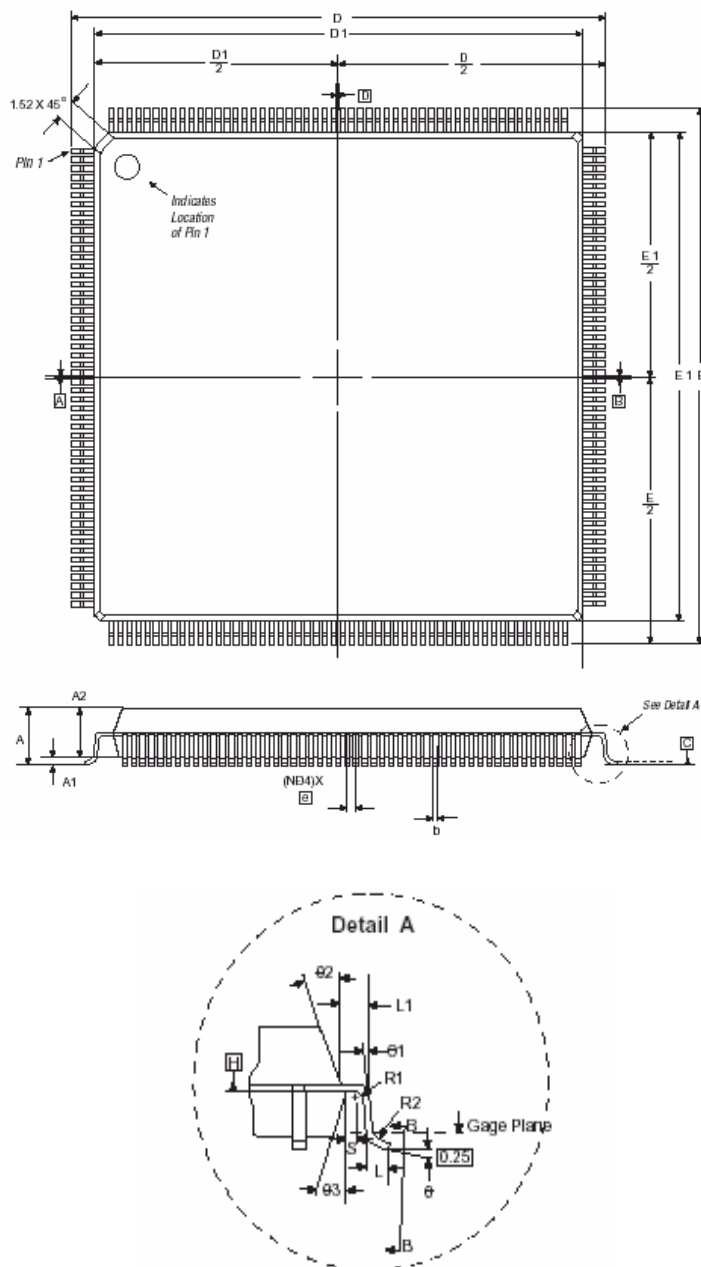
Table 3.4 A.C. Electrical Characteristics

(TA = 0°C to 70°C, VDD = 3.0V to 3.3V, Unit = ns)

Parameter	Description	Min	Typ	Max
t _{SCLK}	Clock period for SCLK	-	-	-
t _{SCLKH}	Clock high time for SCLK	-	-	-
t _{SCLKL}	Clock low time for SCLK	-	-	-
t _{SCLKF}	Clock falling time for SCLK	-	-	-
t _{SCLKR}	Clock rising time for SCLK	-	-	-
t _{MDCLK}	Clock period for MDC	-	-	-
t _{MDCLKH}	Clock high time for MDC	-	-	-
t _{MDCLKL}	Clock low time for MDC	-	-	-
t _{MDCLKF}	Clock falling time for MDC	-	-	-
t _{MDCLKR}	Clock rising time for MDC	-	-	-
t _{CCLK}	Clock period for CCLK	-	-	-
t _{CCLKH}	Clock high time for CCLK	-	-	-
t _{CCLKL}	Clock low time for CCLK	-	-	-
t _{CCLKF}	Clock falling time for CCLK	-	-	-
t _{CCLKR}	Clock rising time for CCLK	-	-	-
t _{SDAD}	SDRAM address output delay	-	-	-
t _{SDRD}	SDRAM RAS output delay	-	-	-
t _{SDCD}	SDRAM CAS output delay	-	-	-
t _{SDWD}	SDRAM WE output delay	-	-	-
t _{SDDD}	SDRAM DATA output delay	-	-	-
t _{SDDS}	SDRAM DATA setup time	-	-	-
t _{SDDH}	SDRAM DATA hold time	-	-	-
t _{MS100}	MII setup time for 100Mbps	-	-	-
t _{MH100}	MII hold time for 100Mbps	-	-	-
t _{MD100}	MII output delay for 100Mbps	-	-	-
t _{MS10}	MII setup time for 10Mbps	-	-	-
t _{MH10}	MII hold time for 10Mbps	-	-	-
t _{MD10}	MII output delay for 10Mbps	-	-	-
t _{RS100}	RMII setup time	-	-	-

t_{RH100}	RMII hold time	-	-	-
t_{RD100}	RMII output delay	-	-	-
t_{CCSND}	SPI delay from CCSn active to rising edge of CCLK	-	-	-
t_{CCDOD}	SPI delay from CDOUT valid to rising edge of CCLK	-	-	-
t_{CCDIS}	SPI CDIN setup time	-	-	-
t_{CCDIH}	SPI CDIN hold time	-	-	-

4. Mechanical Characteristics



Package Outline Figure Reference			
Symbol	Millimeters		
	Min.	Nom.	Max.
A	–	–	4.10
A1	0.25	–	0.50
A2	3.20	3.40	3.60
D	30.35 BSC		
D1	27.90	–	28.10
E	30.35 BSC		
E1	27.90	–	28.10
e	0.50 BSC		
b	0.17	–	0.27
R2	0.08	–	0.25
R1	0.08	–	–
θ	0°	3.5°	8°
$\theta 1$	0°	–	–
$\theta 2$	5°	–	16°
$\theta 3$	5°	–	16°
L	0.46	–	0.66
L1	0.40	–	–
S	0.20	–	–
N	208		

Figure 4.1 Mechanical Characteristics

5. Ordering Information

TBD